

TEAC
HomeTheater

DVD HomeTheater
System

PL-D2000

PL-D2000の主な特長

PL-D2000の主な仕様

スピーカースタンド

STD-2000

「コピーコントロールCD」

についてのお知らせ



好評のワンパッケージタイプにDVDプレーヤー搭載の
ホームシアターシステム新登場。

DVDホームシアターシステム

PL-D2000 希望小売価格 オープンプライス [リモコン付属] **生産終了 (2004.1.28)**

写真のスピーカースタンド (STD-2000) は別売です。

主な特長

dts / ドルビーデジタルデコーダー・AVアンプにDVDプレーヤーも搭載
さらに5chサテライト (フロント / センター / サラウンド) スピーカーとサブウーハーを
セットしたワンパッケージのDVDホームシアターシステム。手軽にDVDサラウンドが楽し
めます。

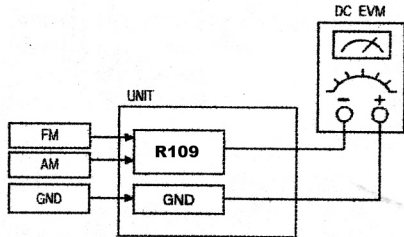
ケーブルと端子を色分け。セットアップが簡単

DVD / ビデオCD / CD / CD-R / CD-RW / MP 3の各ディスクの再生が可能

惠陽東威電子制品有限公司

DR.X TUNER MEASUREMENTS AND ADJUSTMENTS

1. FM, AM TRACKING VOLTAGE ADJUSTMENTS (FM, AM)

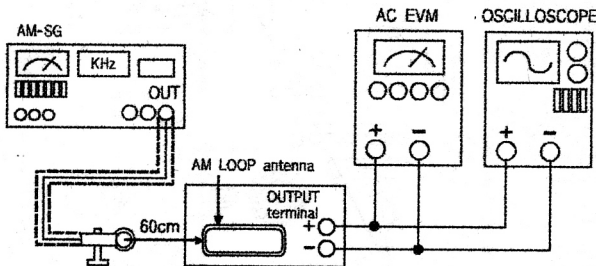


| NO. | Band | Frequency | Adjust for | Adjustment |
|-----|------|-----------|------------|------------|
| 1 | FM | 87.50MHz | 1.5V | / |
| 2 | FM | 108.00MHz | 8.4V | / |
| 3 | AM | 522KHz | 1.5V | T101 |
| 4 | AM | 1620KHz | 8.3V | TC102 |

2. AM RF ADJUSTMENT

Signal Generator Connects to the AM ANT. Coil through the loop antenna.
Adjust for the indication of VTVM of the wave form of scope to be maximum.

| BAND | Step | Frequency | Adjust for | Adjustment |
|------|------|-------------------------------------|---------------------|------------|
| AM | 1 | 612KHz | Maximum sensitivity | L101 |
| | 2 | 1404KHz | Maximum sensitivity | TC103 |
| | 3 | Repeat steps 1 and 2 several times. | | |

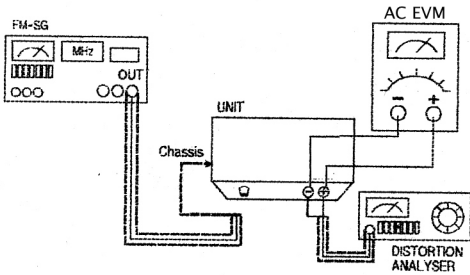


3. FM MONO DISTORTION ADJUSTMENT

AC VOLT METERConnect to the output

Signal Generator.....Connect to FM ANT Jack (FM IN) through the dummy.

Distortion Meter.....Connect to the output.



| NO. | Frequency | Adjust for | Adjustment |
|-----|-----------|------------------------|------------|
| 1 | 98.10MHz | MINIMUM T.H.D (<1%) | FE001中周 |

4. FM/AM AUTO STOP LEVEL CHECK

FM SIGNAL GENERATORConnect to FM ANT Jack (FM IN) through the dummy

AM SIGNAL GENERATOR.....Connect to AM ANT, Coil through the Loop antenna

| BAND | STEP | SIGNAL GENERATOR | Check | Result |
|------|------|------------------|---|--------|
| FM | 1 | 90.1 MHz | <input type="checkbox"/> TUNED $\leq 32\text{dB}$ | OK/NG |
| | 2 | 106.1MHz | <input type="checkbox"/> TUNED $\leq 32\text{dB}$ | OK/NG |
| AM | 1 | 612 KHz | <input type="checkbox"/> TUNED $\leq 84\text{dB}$ | OK/NG |
| | 2 | 1404 KHz | <input type="checkbox"/> TUNED $\leq 84\text{dB}$ | OK/NG |

■ ALIGNMENT INSTRUCTIONS

EQUIPMENT NEEDED:

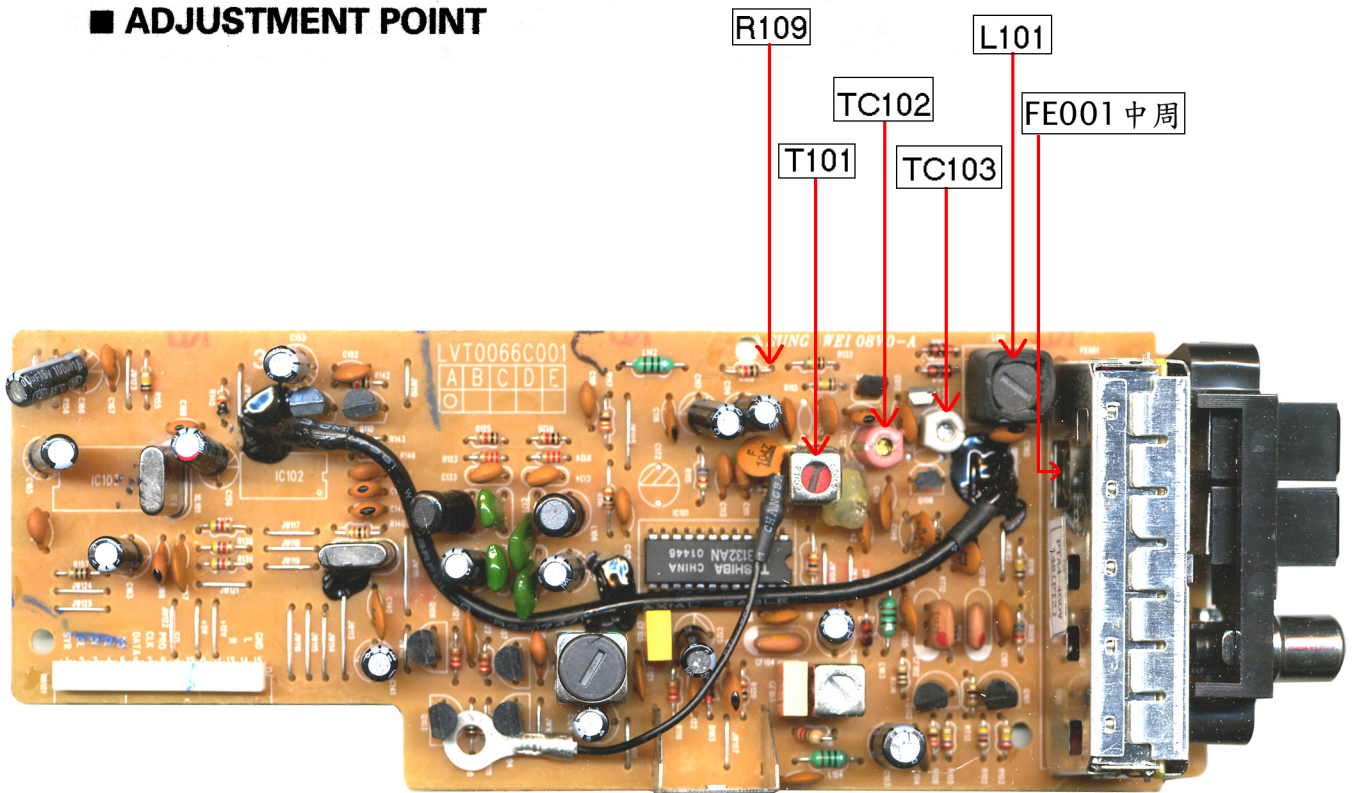
AM Signal Generator
FM Signal Generator
Oscilloscope
VTVM(AC, DC)
Test loop antenna (AW Adjustment)
Dummy antenna (FM Adjustment)
Stereo signal modulator
Frequency counter
Distortion analyser

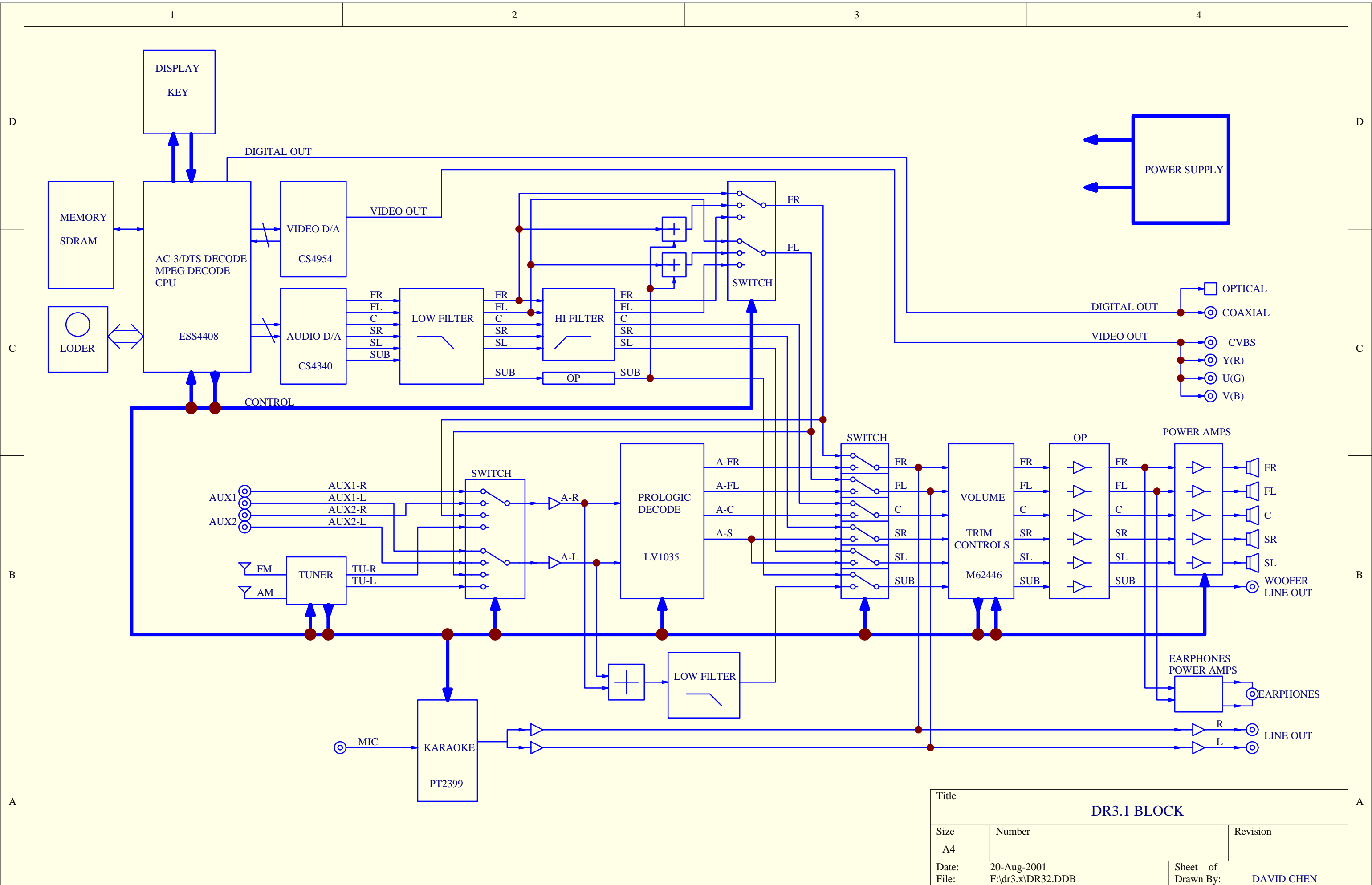
IMPORTANT

1. Check power-source voltage.
2. Set the function switch to band aligned.
3. Keep the signal input as low as possible to adjust accurately.
4. Modulation and modulation frequency.

| Band \ Item | Modulation | Modulation frequency |
|-------------|------------------|----------------------|
| AM | 30% | 400Hz |
| FM | 30%(22.5KHz Dev) | 1KHz |

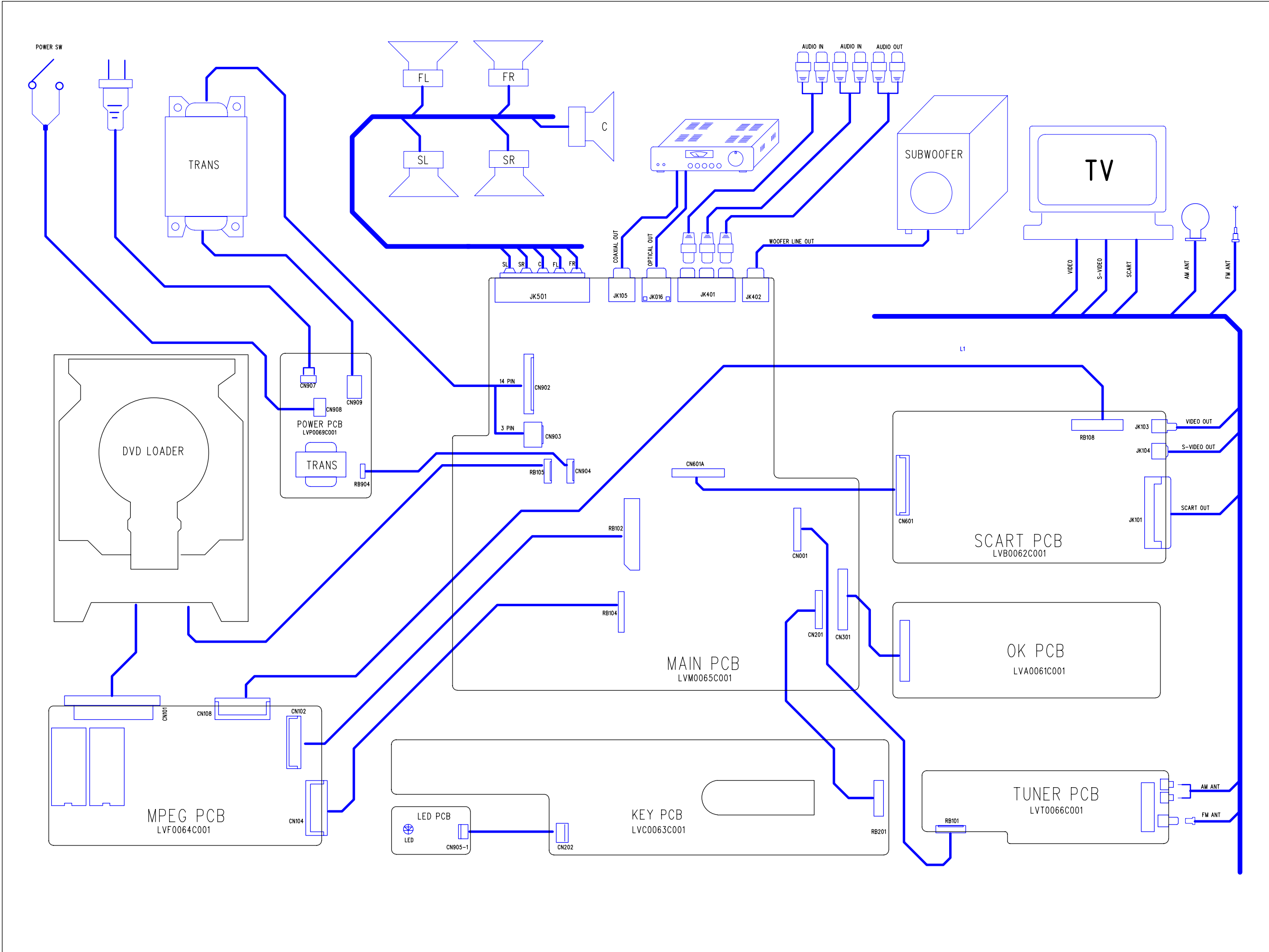
■ ADJUSTMENT POINT





| | | | | | |
|-------|-------------------|-----------|-------------|------------|--|
| Title | | | DR3.1 BLOCK | | |
| Size | Number | Revision | | | |
| A4 | | | | | |
| Date: | 20-Aug-2001 | Sheet of | | | |
| File: | F:\dr3.x\DR32.DDB | Drawn By: | | DAVID CHEN | |

WIRING DIAGRAM



TEAC SCHEMATIC DIAGRAM PL-D2000

1

2

3

4

5

6

7

8

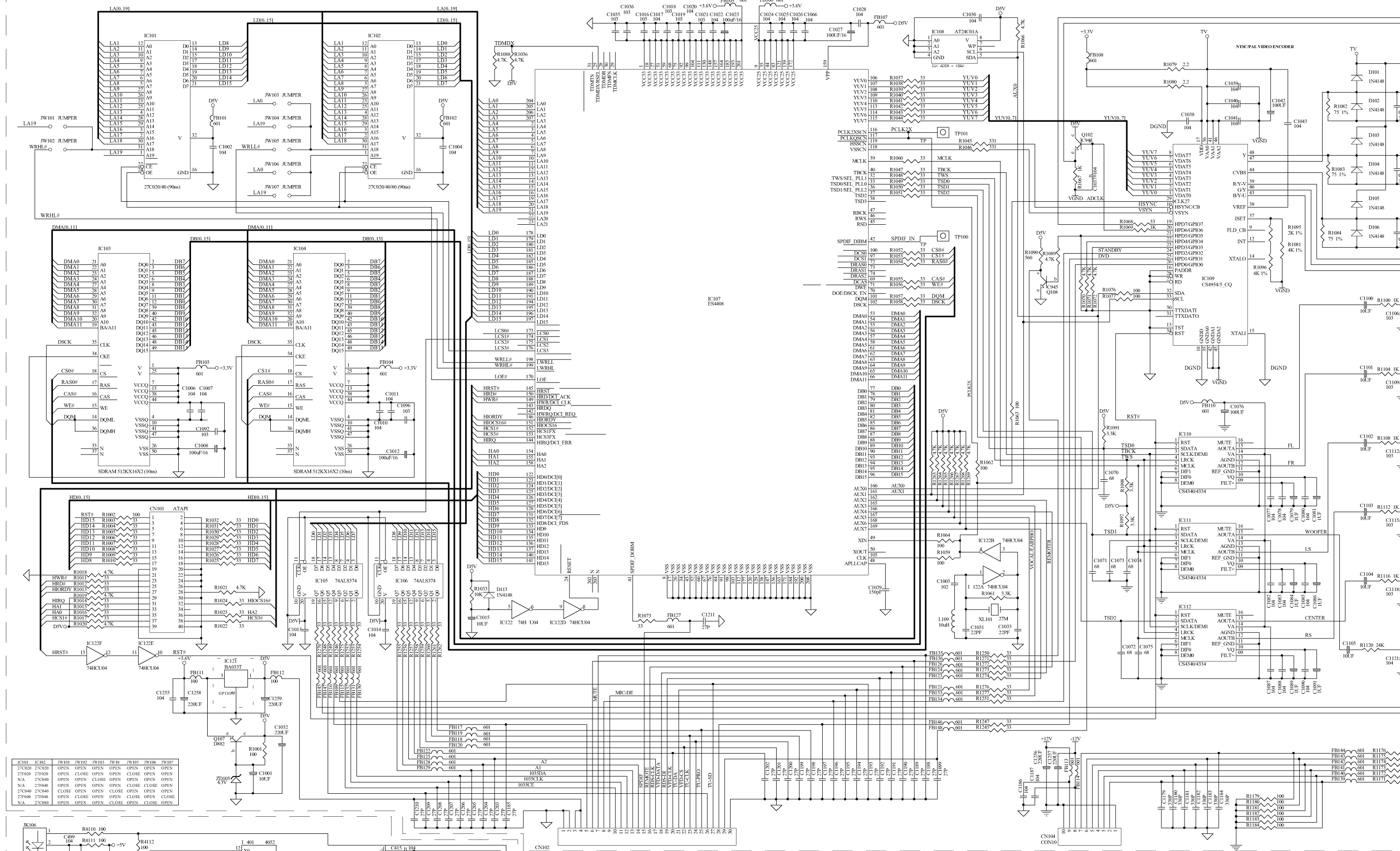
A

B

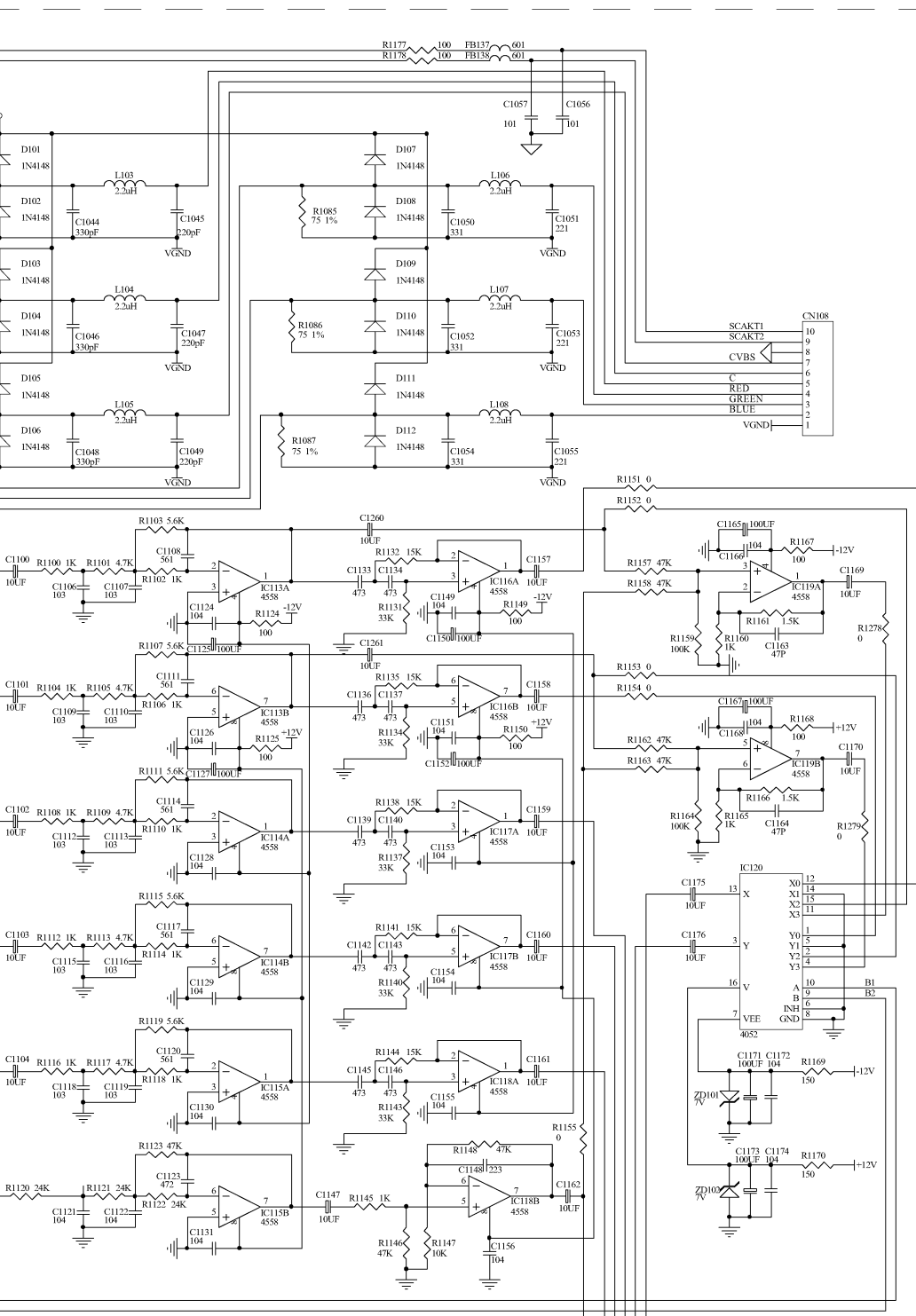
C

D

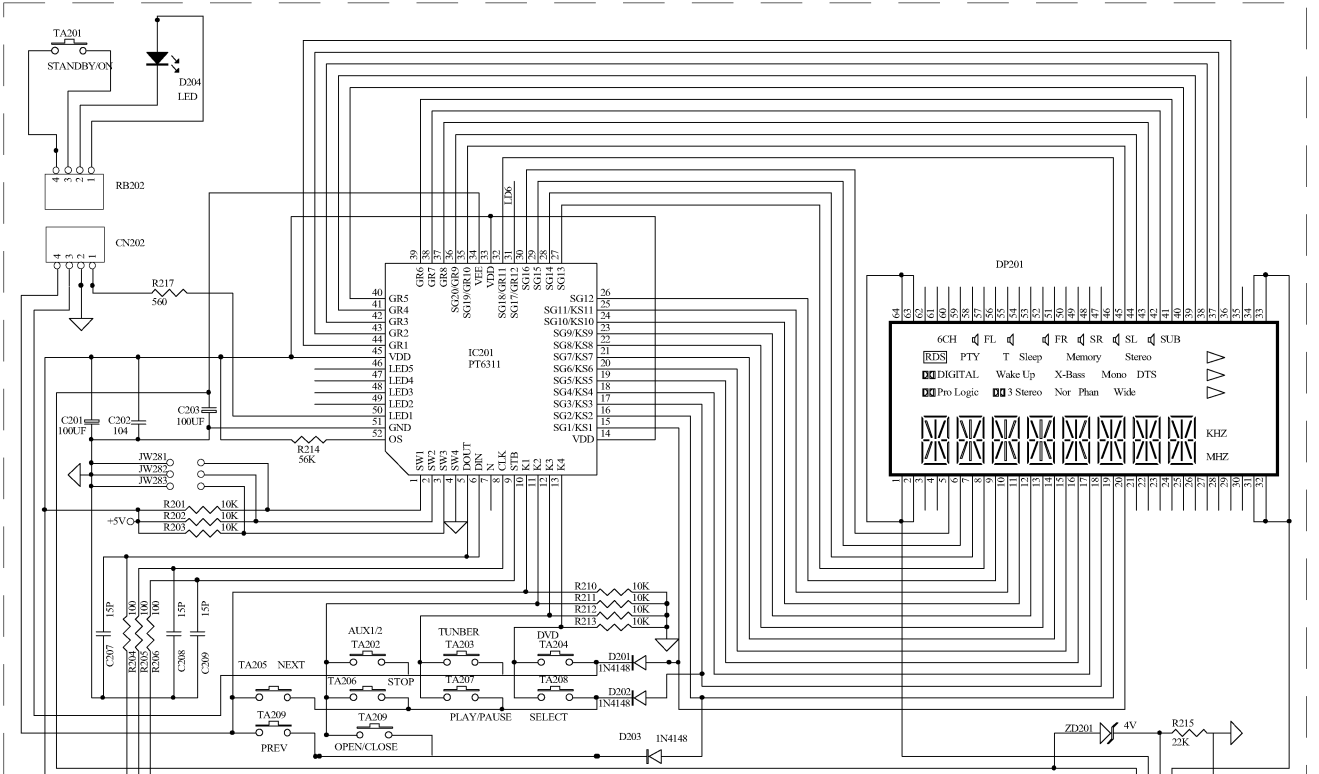
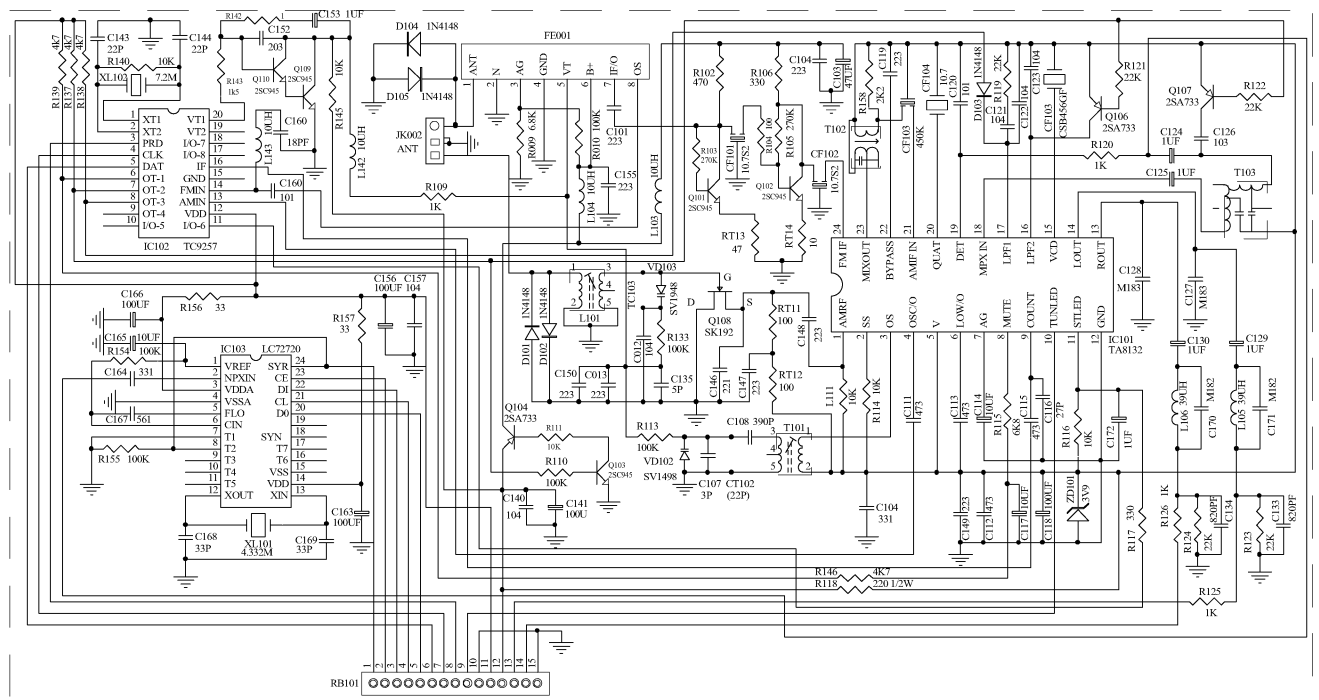
E



| | | | | | | | | | | |
|-------|-------|-------|-------|-------|-------|-------|-------|-------|-------|-------|
| IC101 | IC102 | JW101 | JW102 | JW103 | JW104 | JW105 | JW106 | JW107 | JW108 | JW109 |
| 27020 | 27020 | OPEN | OPEN | OPEN | OPEN | OPEN | OPEN | OPEN | OPEN | OPEN |
| 27020 | 27020 | OPEN | CLOSE | OPEN | OPEN | CLOSE | OPEN | OPEN | OPEN | OPEN |
| N/A | 27030 | OPEN | CLOSE | OPEN | OPEN | CLOSE | OPEN | OPEN | OPEN | OPEN |
| N/A | 27040 | OPEN | CLOSE | OPEN | OPEN | CLOSE | OPEN | OPEN | OPEN | OPEN |
| 27040 | 27040 | OPEN | CLOSE | OPEN | OPEN | CLOSE | OPEN | OPEN | OPEN | OPEN |
| 27040 | 27040 | OPEN | CLOSE | OPEN | OPEN | CLOSE | OPEN | OPEN | OPEN | OPEN |
| N/A | 27080 | OPEN | CLOSE | OPEN | OPEN | CLOSE | OPEN | OPEN | OPEN | OPEN |



- 601 R1176 100
- 601 R1175 100
- 601 R1174 100
- 601 R1173 100
- 601 R1172 100
- 601 R1171 100

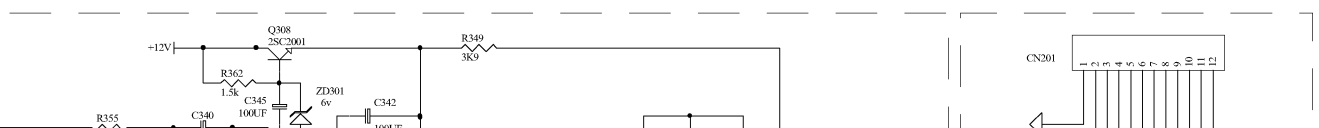


SETUP REGIONAL:

| | A | B | C | REGIONAL |
|---------|---|---|---|----------|
| JW281=A | 1 | 1 | 1 | 1 |
| JW282=B | 1 | 1 | 0 | 2 |
| JW283=C | 1 | 0 | 1 | 3 |

SETUP A B C:

| | | | | |
|---------------|---|---|---|---|
| INSTALL=1 | 1 | 0 | 0 | 4 |
| INSTALL=1 | 0 | 1 | 1 | 5 |
| NOT INSTALL=0 | 0 | 1 | 0 | 6 |



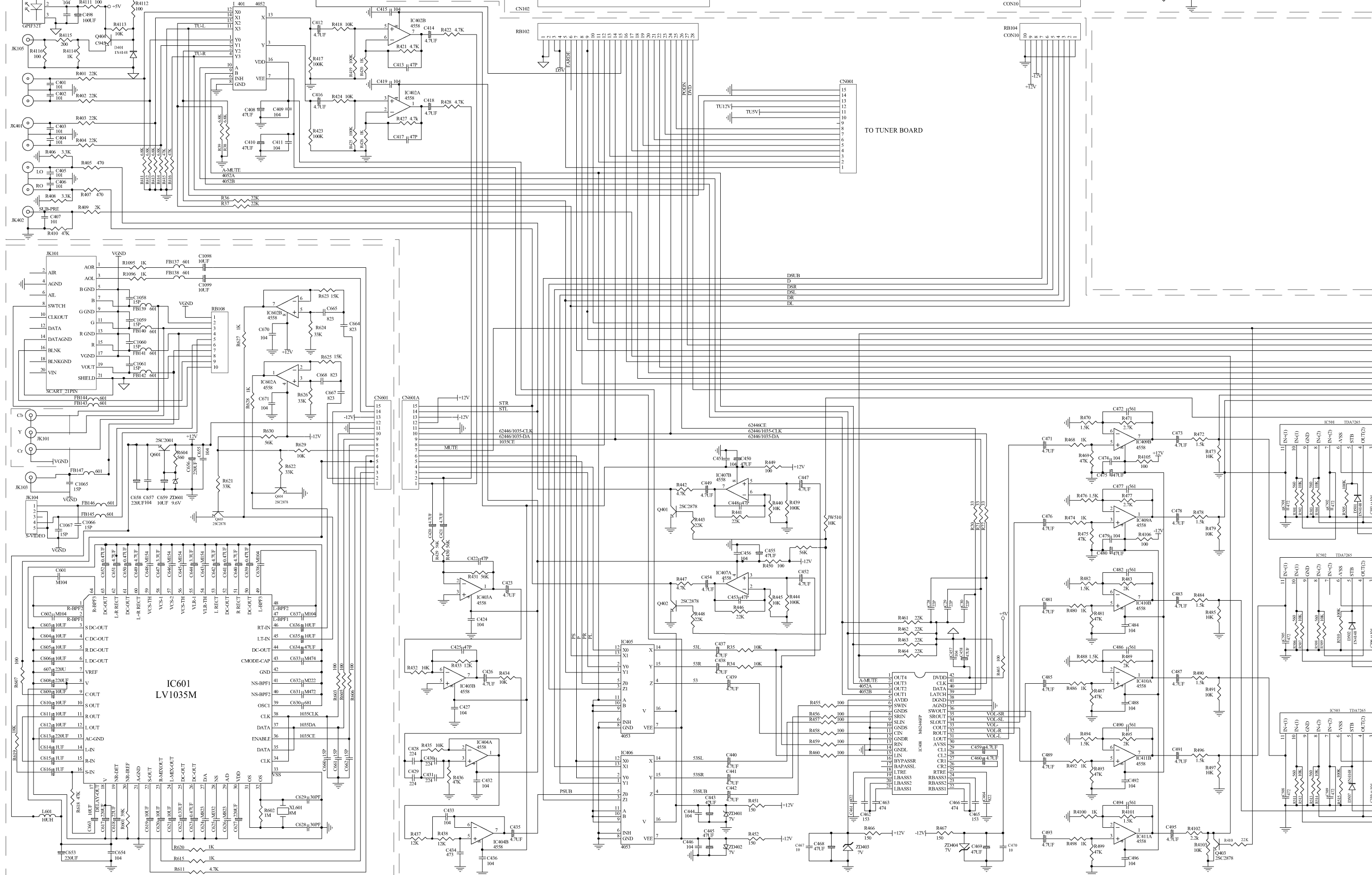
F

G

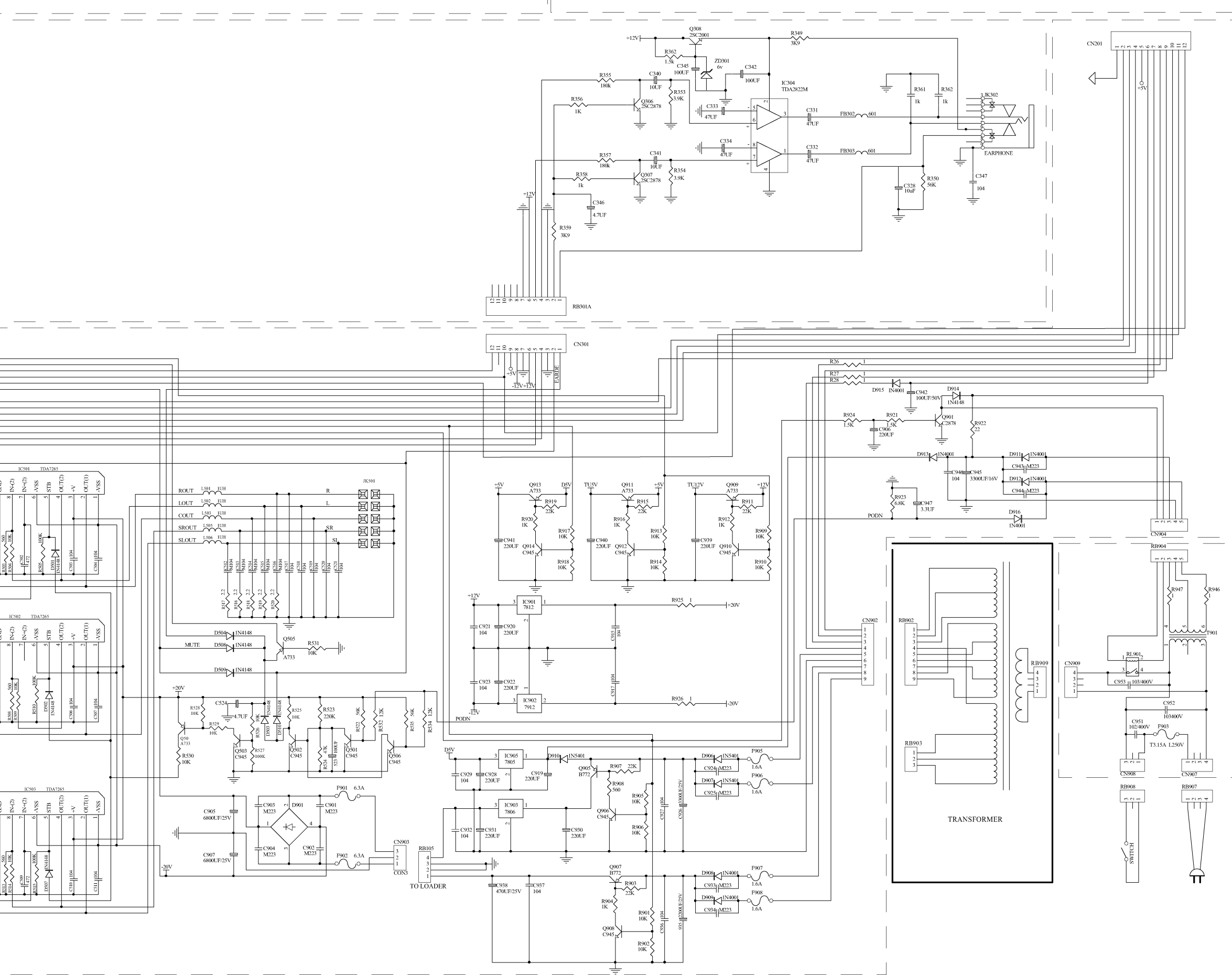
H

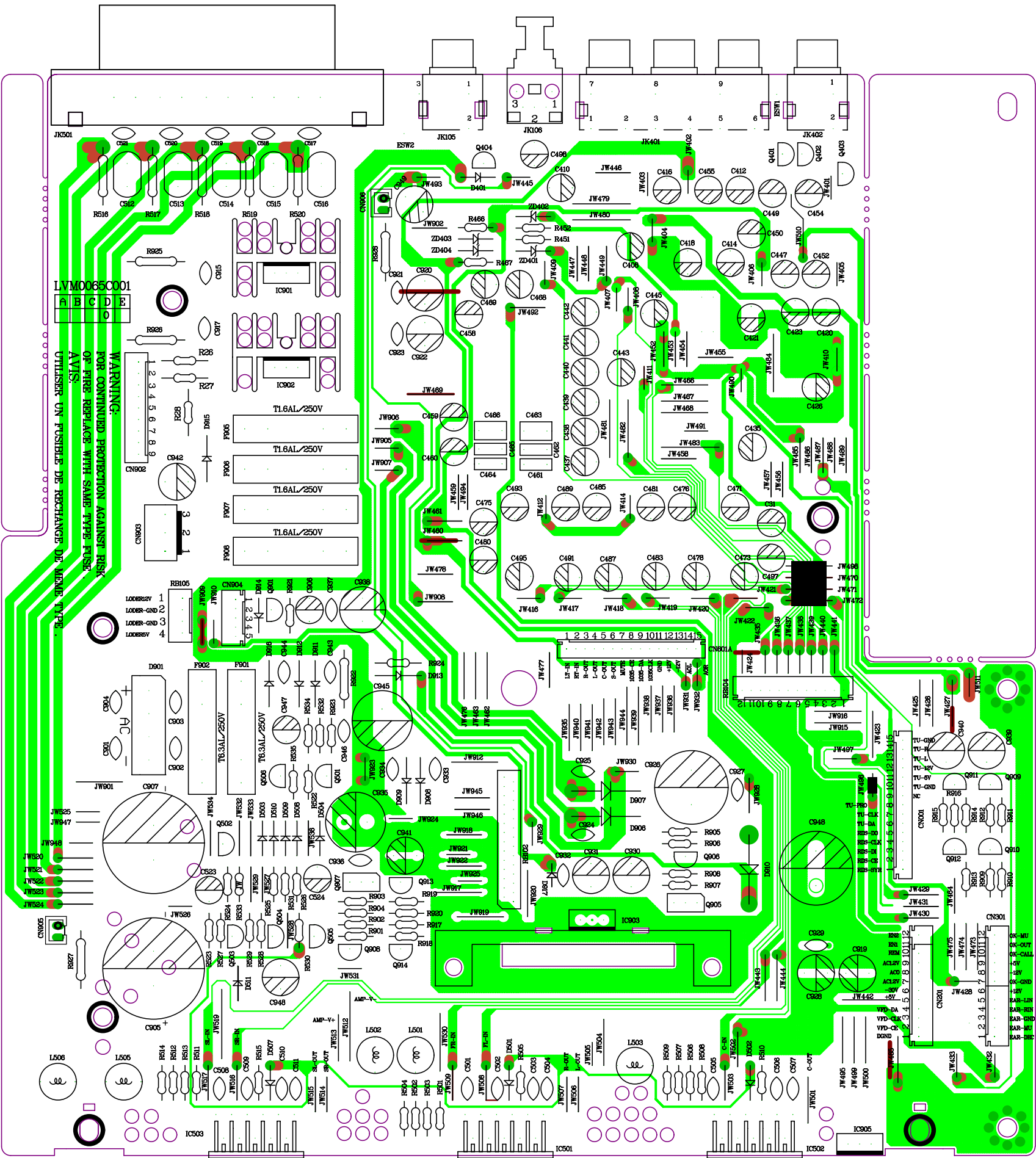
I

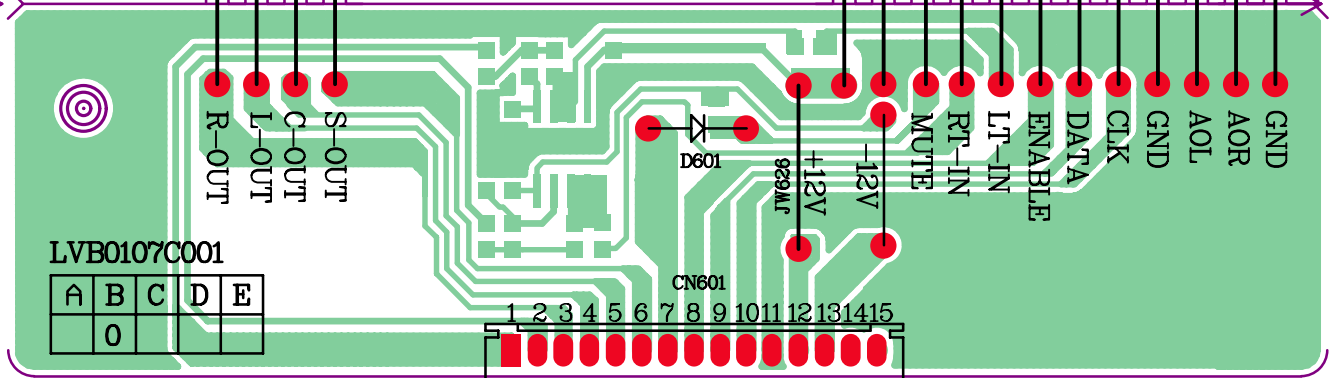
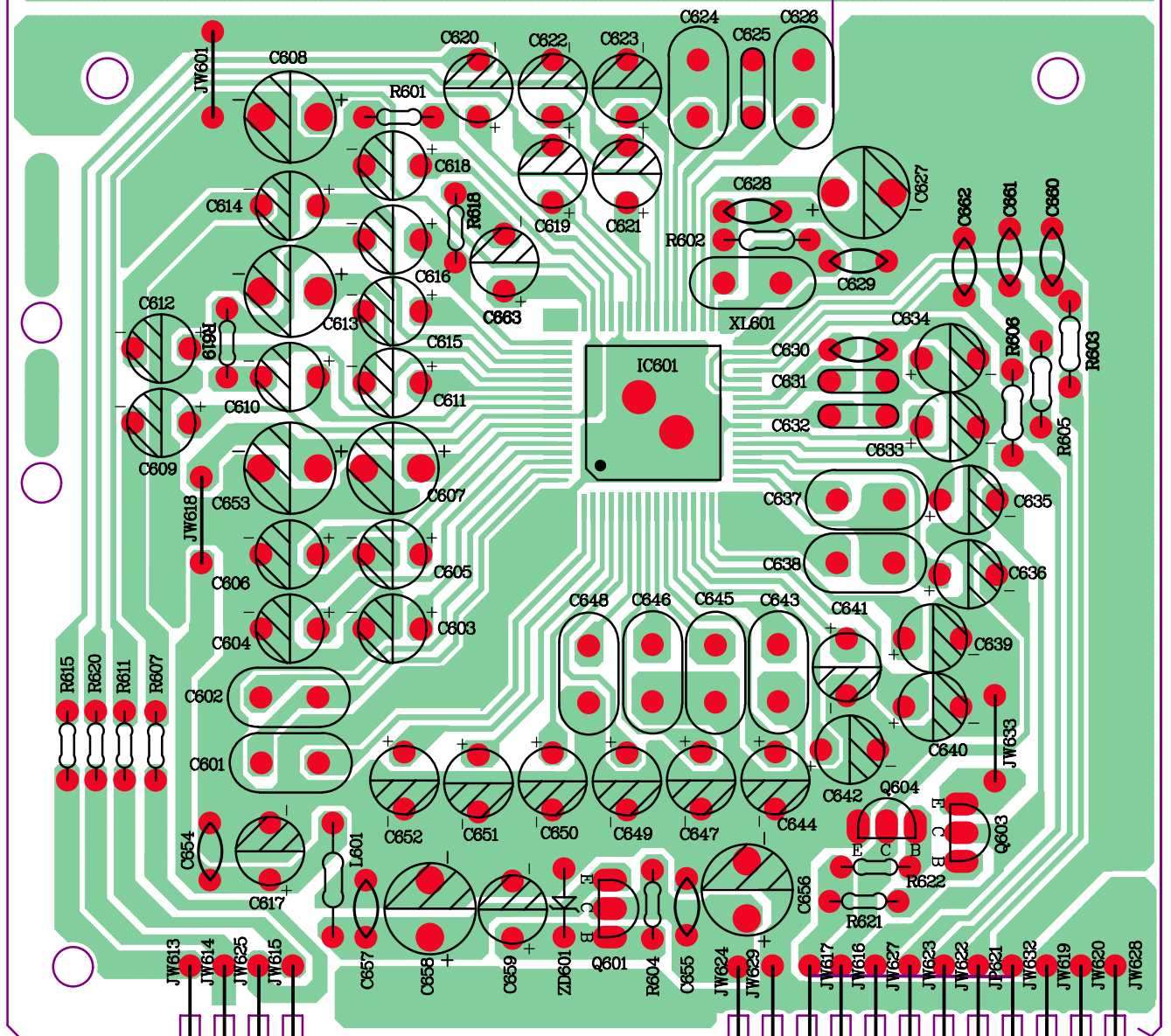
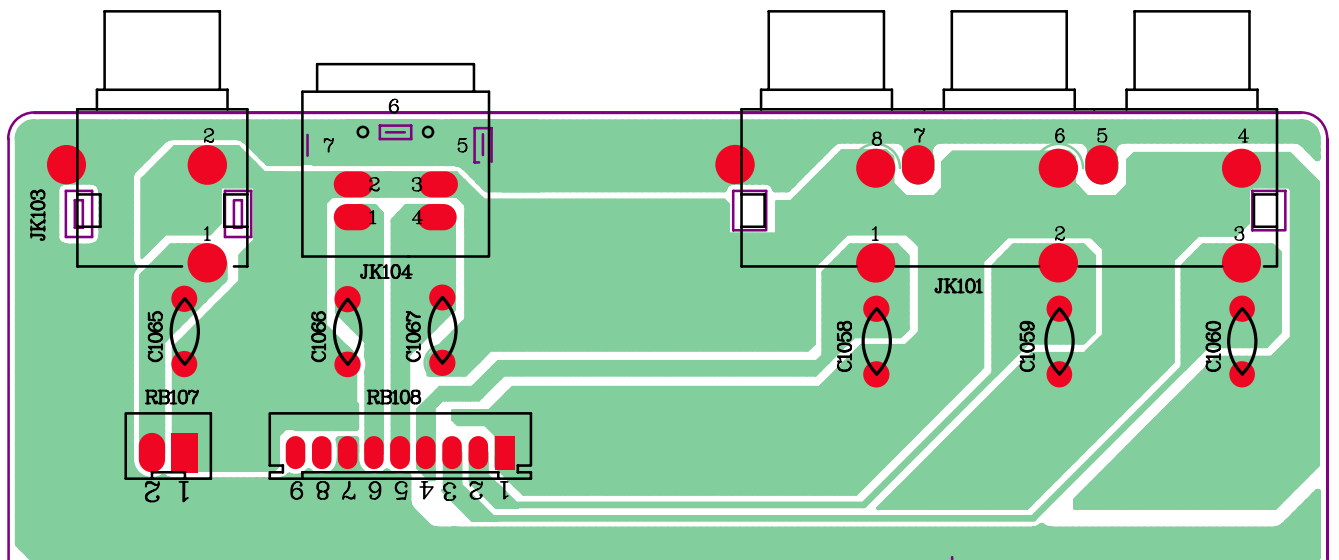
J

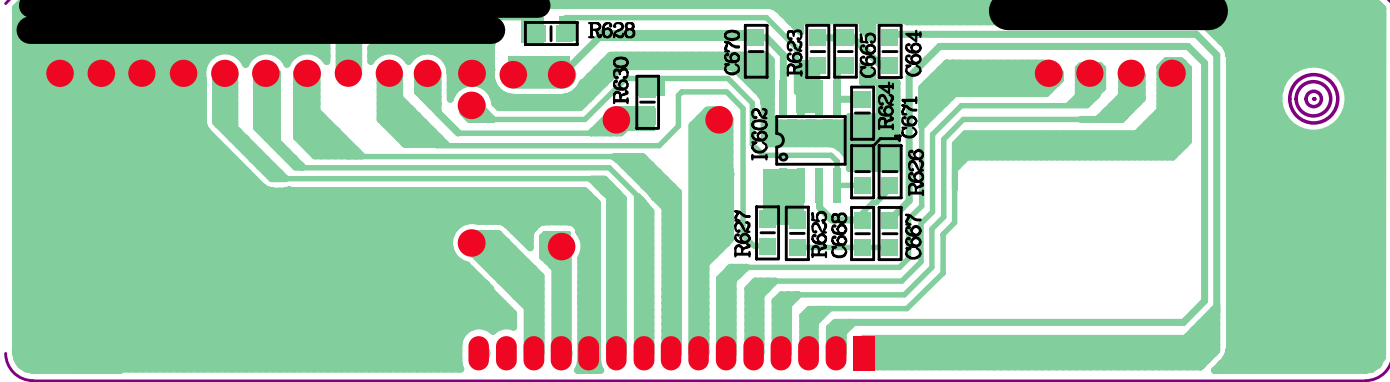
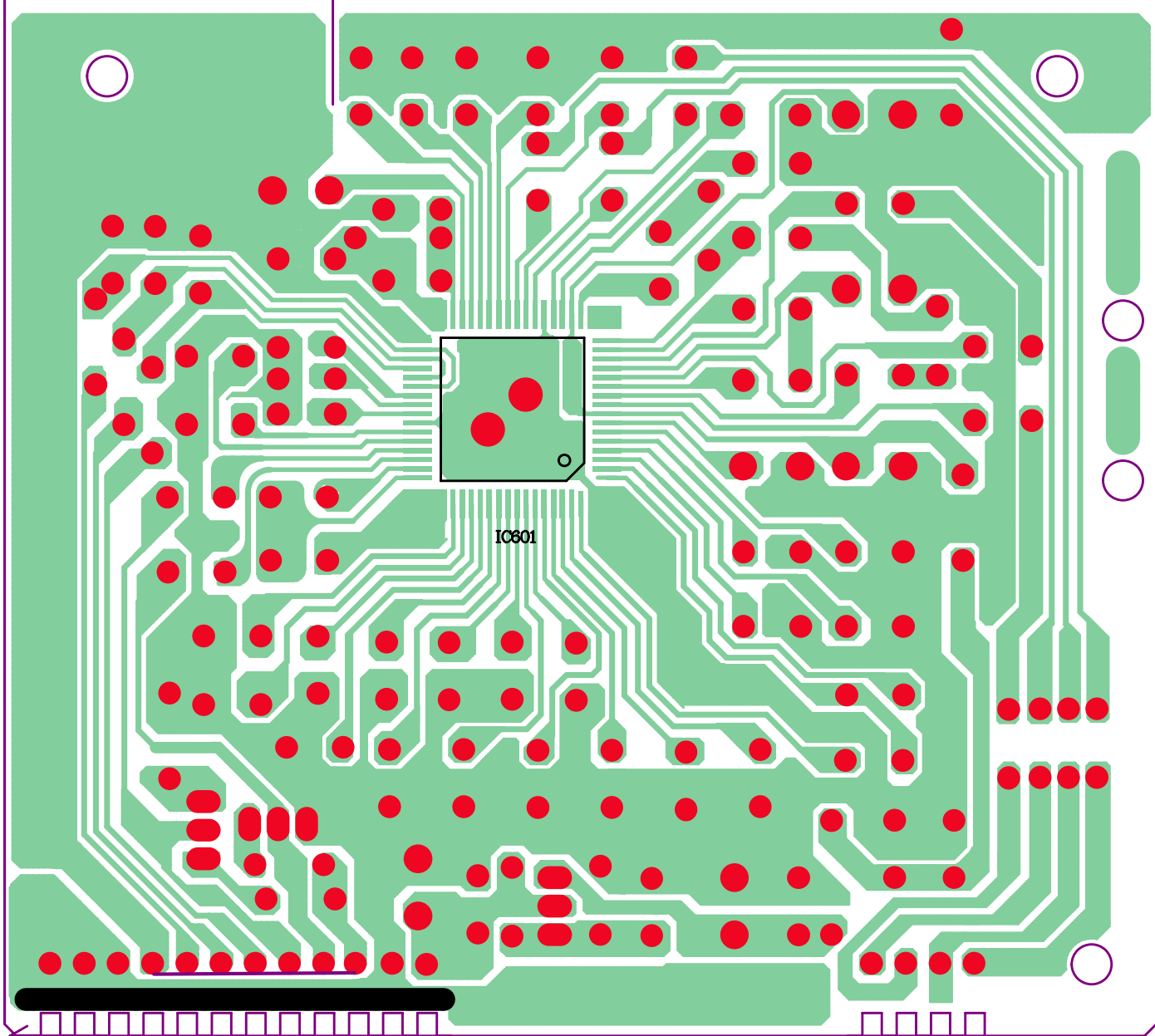
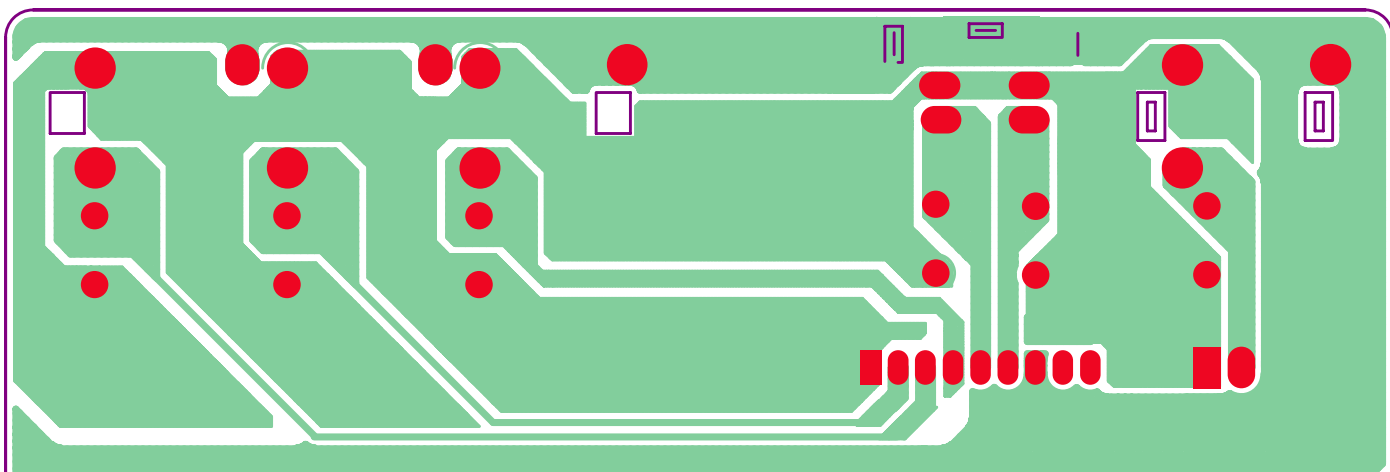


INSTRUCTIONS FOR SERVICE PERSONNEL
BEFORE RETURNING APPLIANCE TO THE CUSTOMER, MAKE LEAKAGE-CURRENT OR RESISTANCE MEASUREMENTS TO DETERMINE THAT EXPOSED PARTS ARE ACCEPTABLY INSULATED FROM THE SUPPLY CIRCUIT.

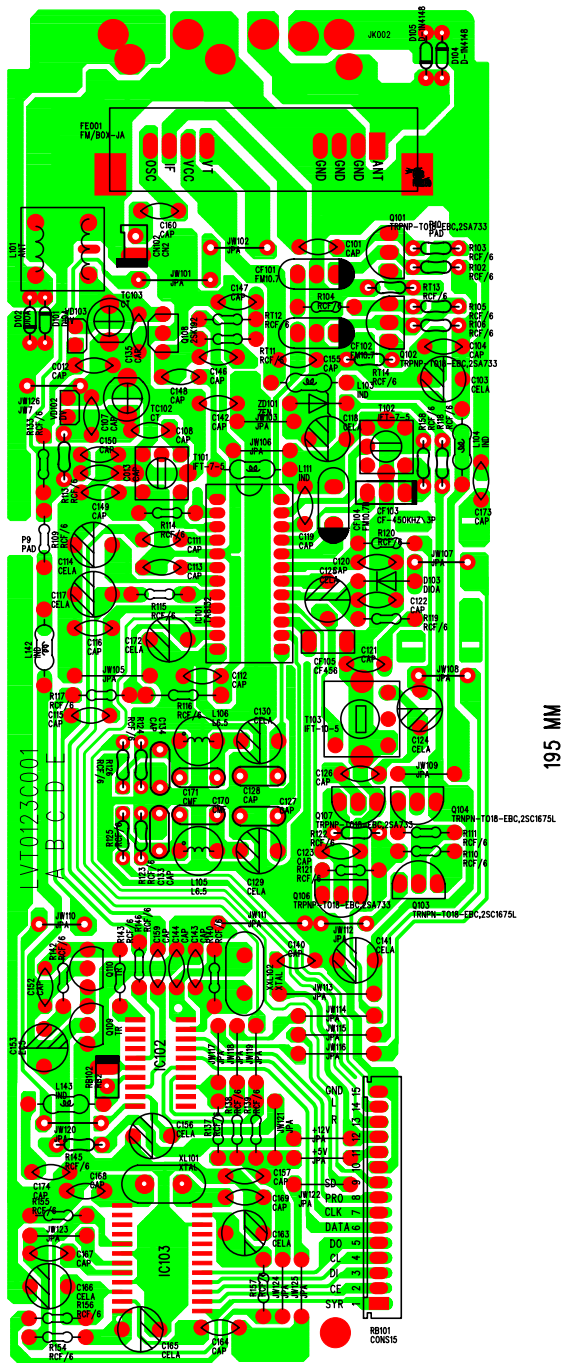




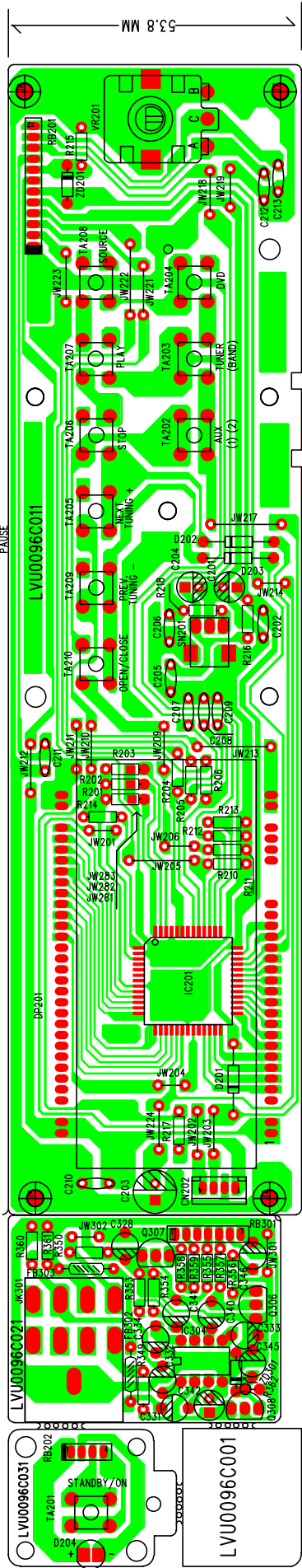




193.5 MM

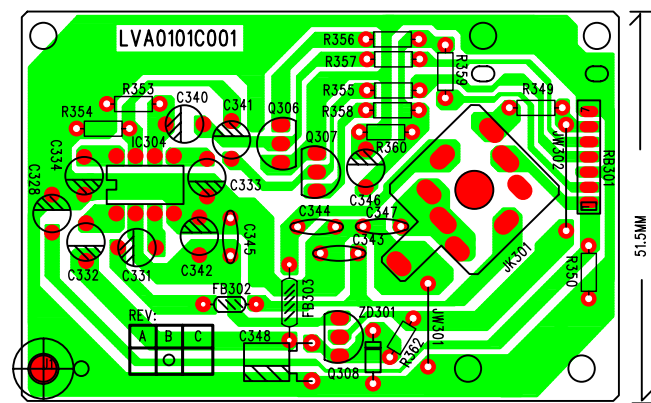


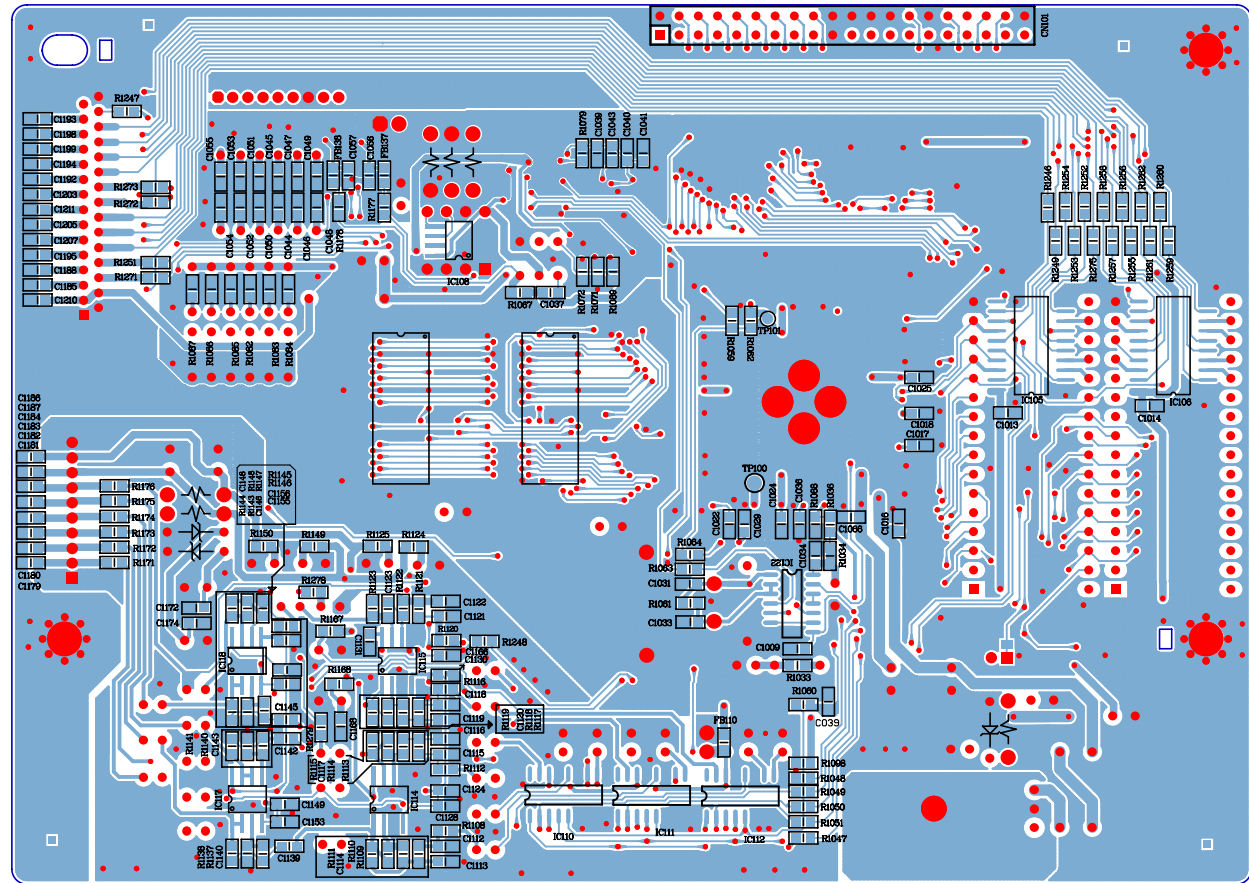
195 MM

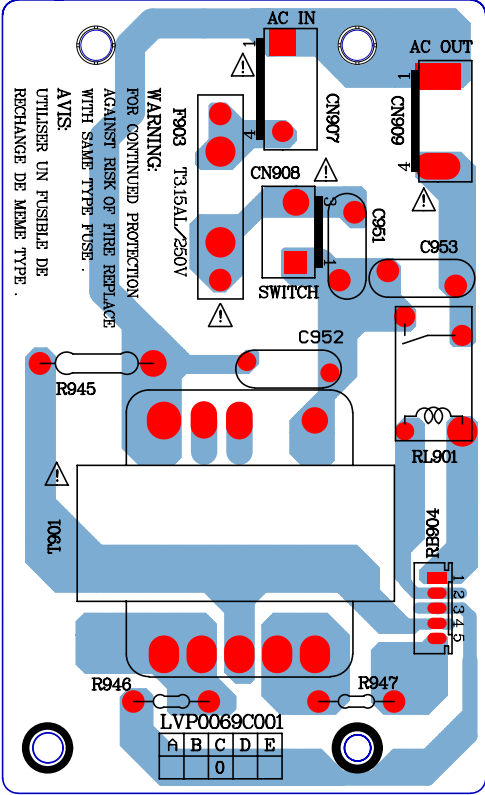


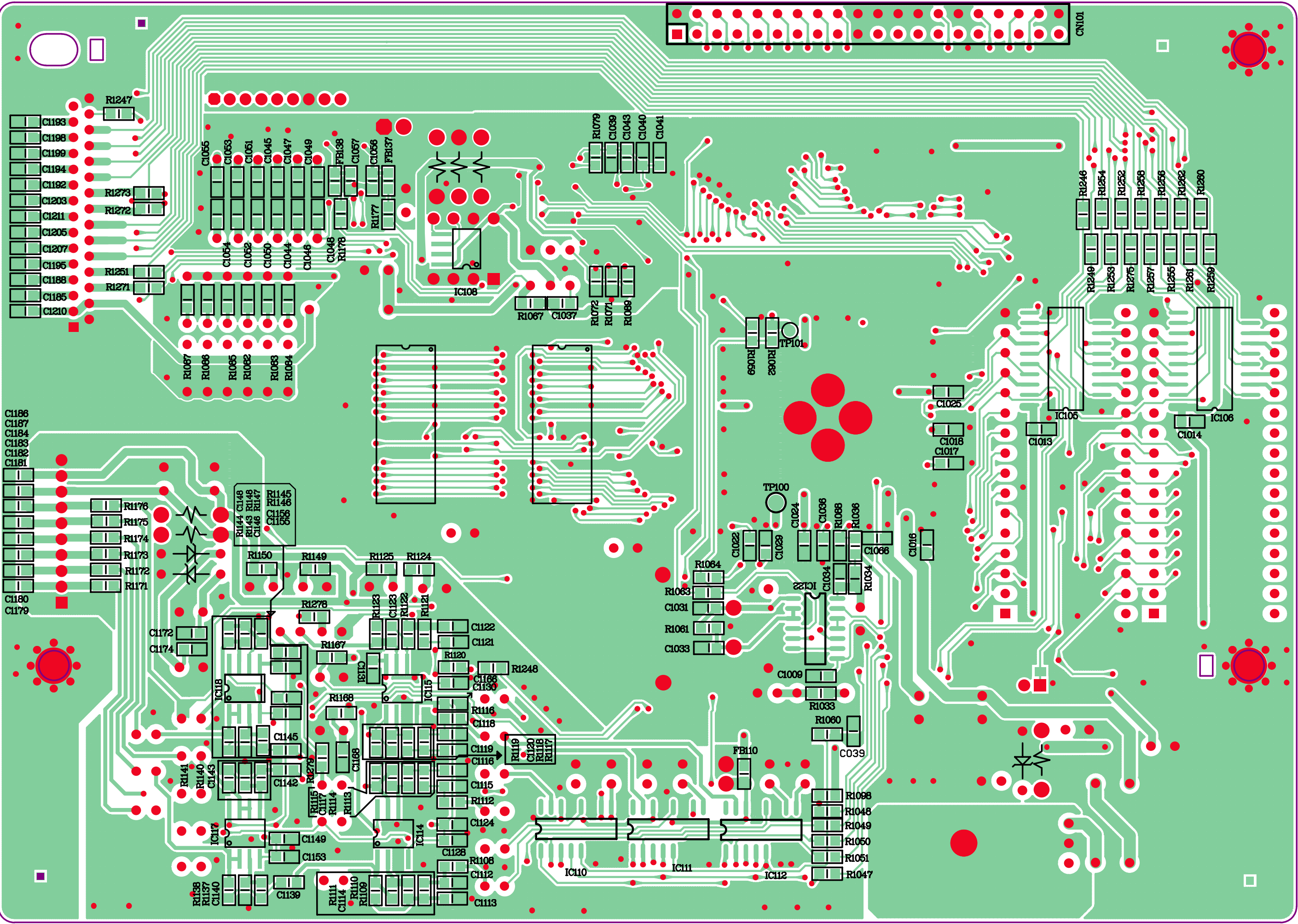
275.5 MM

| | | | | | |
|--------------|-----------|-------------|--------------|--------------|---|
| 單位 UNIT | MM | 材料 MATERIAL | 94-V0 1.6 MM | 料號 PART NO. | LVU0096C001 |
| 比例 SCALE | 1 : 1 | 處理 FINISH | | 品名 PART NAME | KEY PCB |
| 日期 DATE | 2001-4-20 | 繪圖 DRAWN | ZOU | 設計 DESIGNED | ZOU |
| REVISION NO. | A | 審核 APPROVED | | 公司 COMPANY | ATL ELECTRONICS(M) EASTTECH TAIWAN INC. |

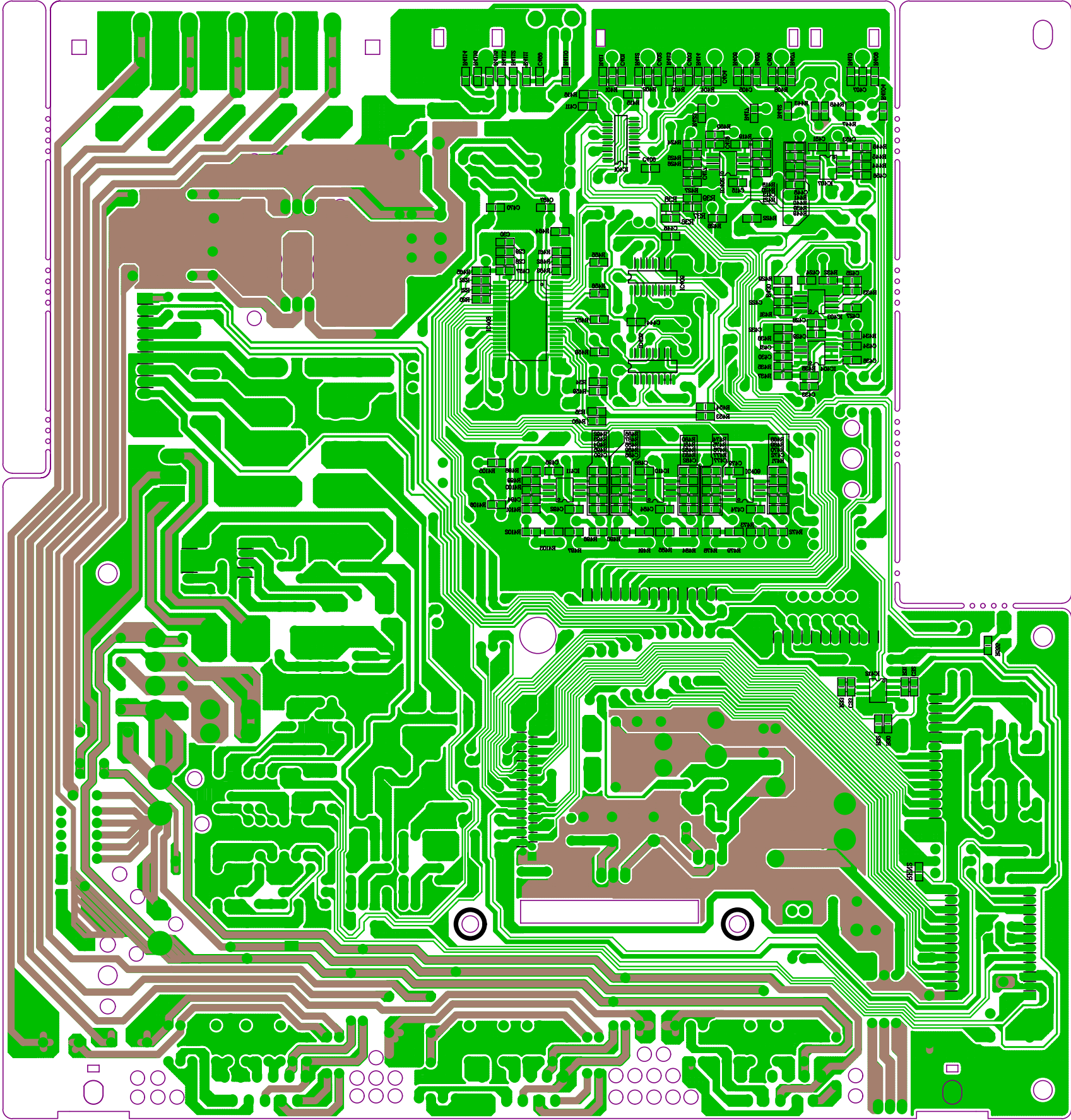




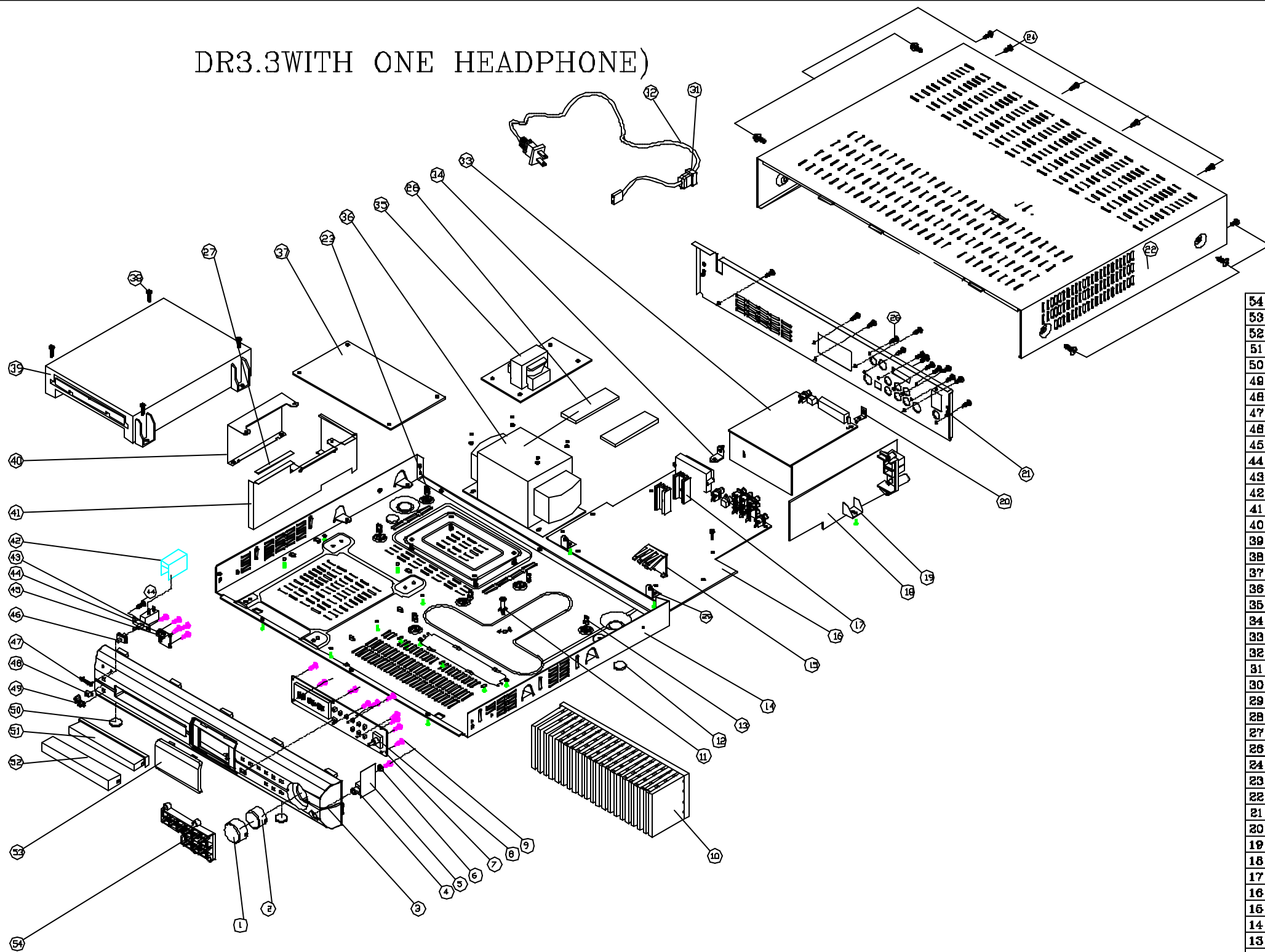




MPEG PCB(BOTTOM SIDE)



DR3.3WITH ONE HEADPHONE)

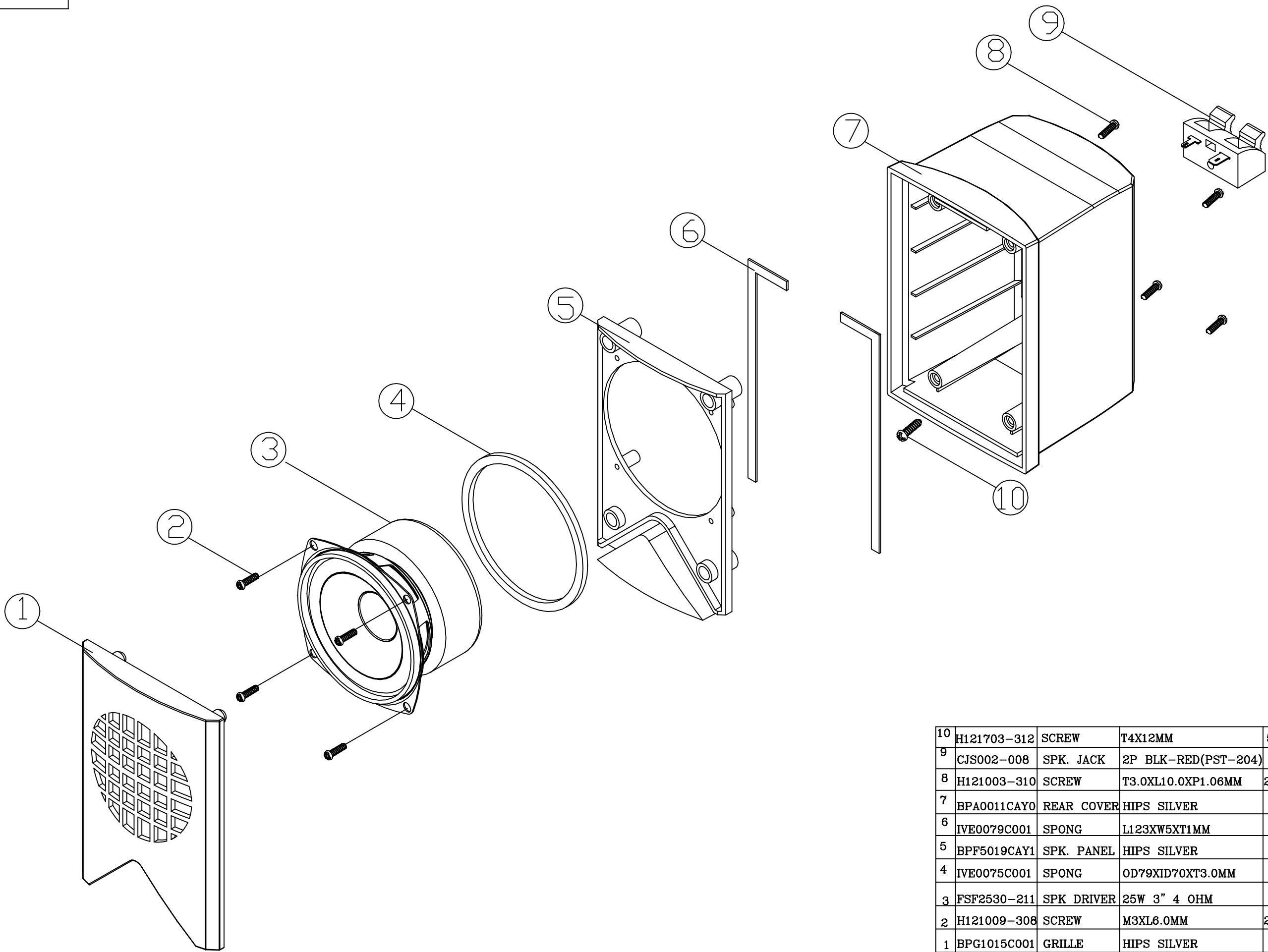


| | | | | | |
|----|-------------|-----------------|--------------------|----|--|
| 54 | BPK8016C001 | KNOB | TO FRONT CABINET | 1 | |
| 53 | HPN0031C001 | LED LENS | TO FRONT CABINET | 1 | |
| 52 | BPN0033C001 | TRANSP DOOR | TO DVD DDR | 1 | |
| 51 | BPC1018C001 | DVD DOOR | TO DVD DECK | 1 | |
| 50 | BRB0049-002 | RUBBER | FOY FOOT | 4 | |
| 49 | BPK8028C001 | SANDBY BUTTON | TO FRONT CABINET | 1 | |
| 48 | HPN0031C001 | LED LENS | TO FRONT CABINET | 1 | |
| 47 | CLI0014-003 | LOGO | TO FRONT CABINET | 1 | |
| 46 | BPK8011C001 | POWER BUTTON | TO FRONT CABINET | 1 | |
| 45 | LVU0098C001 | LED PCB | TO FRONT CABINET | 1 | |
| 44 | KER0003-001 | LED | TO LED PCB | 1 | |
| 43 | MSP0001-A1B | POWER SWICH | TO FRONT CABINET | 1 | |
| 42 | BPC0042C001 | SW COVER | POWER SW PROTECTOR | 1 | |
| 41 | GSE0051C001 | BRACKET | SECC T=0.8MM | 1 | |
| 40 | GSE0051C001 | BRACKET | SECC T=0.8MM | 1 | |
| 39 | WVD0002-002 | DVD LOADER | DSL-710A DVS | 1 | |
| 38 | H120309-108 | SCREW | M3X0.5PX6 | 4 | |
| 37 | APE0084C001 | MPEG PCB | | 1 | |
| 36 | TH1230C002 | PWR TRANS | EI-76 | 1 | |
| 35 | TH1231C001 | PWR TRANS | EI-41 | 1 | |
| 34 | GSE0053C001 | BRACKET | SECC T=0.8MM | 1 | |
| 33 | APE0082C002 | PRO.-SCART PCB | 280V | 1 | |
| 32 | 2559-022822 | LINE CORD | VED 1830MM | 1 | |
| 31 | DBU0002-002 | BUSHING | 5RF-6A | 1 | |
| 30 | H120309-108 | SCREW | M3X0.5PX6 | 4 | |
| 29 | GSE0054C001 | BRACKET | SECC T=0.8MM | 2 | |
| 28 | ICU0007-001 | RUBBER PAD | T=2.0MM | 2 | |
| 27 | IVE0068C001 | | T=1.0MM | 1 | |
| 26 | H120309-108 | SCREW | M3X0.5PX6 | 14 | |
| 24 | H120309-108 | SCREW | M3X0.5PX6 | 10 | |
| 23 | BPH0087-001 | PCB BKT.(H6.5) | HIPS | 1 | |
| 22 | GSE0049C001 | TOP CAB | SECC T=0.8MM | 1 | |
| 21 | GSE0050C001 | BACK CAB | SECC T=0.8MM | 1 | |
| 20 | GSE0053C001 | BRACKET | SECC T=0.8MM | 1 | |
| 19 | GTN0040-001 | PCB BKT | | 1 | |
| 18 | APE0068C002 | TUNER PCB | | 1 | |
| 17 | GAL0052C001 | HEATSINK | AL | 2 | |
| 16 | APE0065C002 | MAIN PCB | | 1 | |
| 16 | GAL0051C001 | HEATSINK | AL T=3MM | 1 | |
| 14 | GSE0049C001 | BOTTOM CAB | SECC T=1.0MM | 2 | |
| 13 | BPH0028C001 | PCB BKT.(H18.5) | HIPS | 2 | |
| 12 | BRB0049-002 | RUBBER | Ø1.4X2 | 4 | |
| 11 | DSS4019-008 | SPACER SUPPOUT | SCT-1B | 1 | |
| 10 | GAL0025C001 | HEATSINK | AL | 1 | |
| 9 | H121001-108 | SCREW | TO FRONT CABINET | 11 | |
| 8 | | VOL JACK | | 1 | |
| 7 | LVU0096C011 | PCB MAIN | | 1 | |
| 6 | HWS1432-510 | WASHER | TO PHONE JACK | 1 | |
| 6 | LVU0096C021 | PHONE PCB | | 1 | |
| 4 | | PHONE JACK | | 1 | |
| 3 | BPF4006C001 | FRONT CABINET | HIPS SPRAYING OIL | 1 | |
| 2 | BPD1010C001 | VOL KNOB | AES SPRAYING OIL | 1 | |
| 1 | BPN0034C001 | TRANSP VOL | PMMA | 1 | |

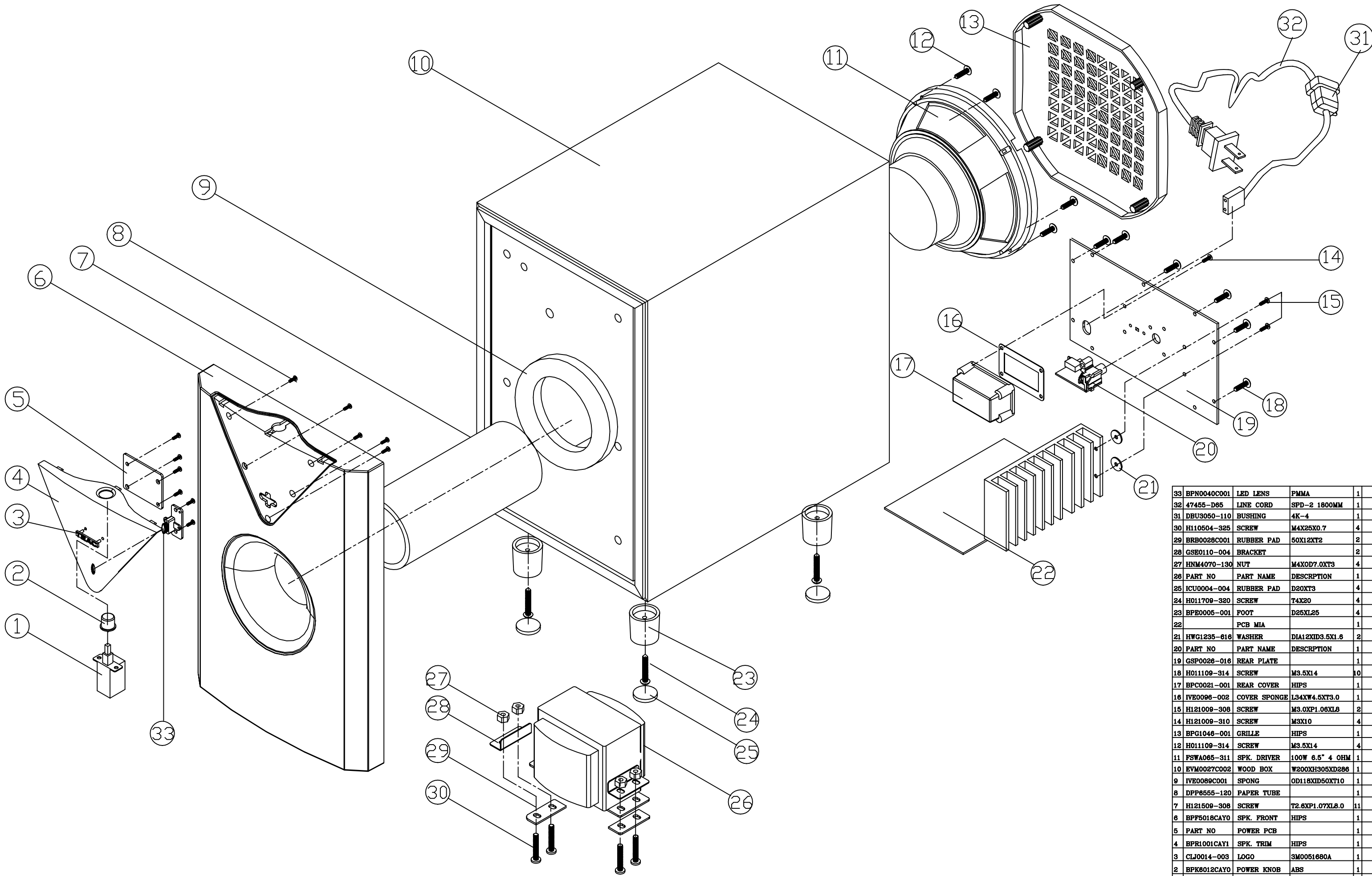
DO NOT SCALE

| NO. | PART NO. | PART NAME | DESCRIPTION | QTY | REMARK |
|-----------|----------|------------|-------------|-----|-----------------------|
| USE ON | | 零件尺寸 | 單位 | | |
| MODEL NO. | CUSTOMER | 圖分 F/G/H/J | MM | | |
| DR3.3 | | | SCALE | | |
| | | | FINISH | | |
| | | | DESIGNED | | |
| | | | DATE | | |
| | | | 2009.07.27 | | |
| | | | CHECKED | | |
| | | | NO. | | |
| | | | FILE NAME | | |
| | | | APPROVED | | |
| | | | | | ATLE ELECTRONICS INC. |

PART NO. :



| 10 | H121703-312 | SCREW | T4X12MM | 5 | | | | | | | | | | | | | | | | | | | | | | | | | | | | | | | | | | | | | | | | | |
|--|-------------|------------|---------------------|----|----------|--------|-----------------------|-------|-----------|----|------|----|----------|----|----------|-----------|----------|----|---------|----|-------|----|--------|----|-----------|-------|--|----|------|----|-------|----|----------|-------|--|--|--|----|------|----|----------|-------|-----------------------|----|--|
| 9 | CJS002-008 | SPK. JACK | 2P BLK-RED(PST-204) | 5 | | | | | | | | | | | | | | | | | | | | | | | | | | | | | | | | | | | | | | | | | |
| 8 | H121003-310 | SCREW | T3.0XL10.0XP1.06MM | 20 | | | | | | | | | | | | | | | | | | | | | | | | | | | | | | | | | | | | | | | | | |
| 7 | BPA0011CAY0 | REAR COVER | HIPS SILVER | 5 | | | | | | | | | | | | | | | | | | | | | | | | | | | | | | | | | | | | | | | | | |
| 6 | IVE0079C001 | SPONG | L123XW5XT1MM | 5 | | | | | | | | | | | | | | | | | | | | | | | | | | | | | | | | | | | | | | | | | |
| 5 | BPF5019CAY1 | SPK. PANEL | HIPS SILVER | 5 | | | | | | | | | | | | | | | | | | | | | | | | | | | | | | | | | | | | | | | | | |
| 4 | IVE0075C001 | SPONG | OD79XID70XT3.0MM | 5 | | | | | | | | | | | | | | | | | | | | | | | | | | | | | | | | | | | | | | | | | |
| 3 | FSF2530-211 | SPK DRIVER | 25W 3" 4 OHM | 5 | | | | | | | | | | | | | | | | | | | | | | | | | | | | | | | | | | | | | | | | | |
| 2 | H121009-308 | SCREW | M3XL6.0MM | 20 | | | | | | | | | | | | | | | | | | | | | | | | | | | | | | | | | | | | | | | | | |
| 1 | BPG1015C001 | GRILLE | HIPS SILVER | 5 | | | | | | | | | | | | | | | | | | | | | | | | | | | | | | | | | | | | | | | | | |
| NO | PART NO | PART NAME | DESCRIPTION | NO | REMARK | | | | | | | | | | | | | | | | | | | | | | | | | | | | | | | | | | | | | | | | |
| <table border="1"> <thead> <tr> <th>USE ON</th> <th>公制尺寸</th> <th>公差</th> <th>单位</th> <th>材料</th> <th>UNIT</th> <th>材料</th> <th>MATERIAL</th> <th>规格</th> <th>PART NO.</th> </tr> </thead> <tbody> <tr> <td>MODEL NO.</td> <td>CUSTOMER</td> <td>英寸</td> <td>F G H J</td> <td>比例</td> <td>SCALE</td> <td>表面</td> <td>FINISH</td> <td>名称</td> <td>PART NAME</td> </tr> <tr> <td>ST-03</td> <td></td> <td>日期</td> <td>DATE</td> <td>制图</td> <td>DRAWN</td> <td>设计</td> <td>DESIGNED</td> <td>东威电子厂</td> <td></td> </tr> <tr> <td></td> <td></td> <td>日期</td> <td>DATE</td> <td>审核</td> <td>APPROVED</td> <td>东威电子厂</td> <td>ATLH ELECTRONICS INC.</td> <td>A1</td> <td></td> </tr> </tbody> </table> | | | | | | USE ON | 公制尺寸 | 公差 | 单位 | 材料 | UNIT | 材料 | MATERIAL | 规格 | PART NO. | MODEL NO. | CUSTOMER | 英寸 | F G H J | 比例 | SCALE | 表面 | FINISH | 名称 | PART NAME | ST-03 | | 日期 | DATE | 制图 | DRAWN | 设计 | DESIGNED | 东威电子厂 | | | | 日期 | DATE | 审核 | APPROVED | 东威电子厂 | ATLH ELECTRONICS INC. | A1 | |
| USE ON | 公制尺寸 | 公差 | 单位 | 材料 | UNIT | 材料 | MATERIAL | 规格 | PART NO. | | | | | | | | | | | | | | | | | | | | | | | | | | | | | | | | | | | | |
| MODEL NO. | CUSTOMER | 英寸 | F G H J | 比例 | SCALE | 表面 | FINISH | 名称 | PART NAME | | | | | | | | | | | | | | | | | | | | | | | | | | | | | | | | | | | | |
| ST-03 | | 日期 | DATE | 制图 | DRAWN | 设计 | DESIGNED | 东威电子厂 | | | | | | | | | | | | | | | | | | | | | | | | | | | | | | | | | | | | | |
| | | 日期 | DATE | 审核 | APPROVED | 东威电子厂 | ATLH ELECTRONICS INC. | A1 | | | | | | | | | | | | | | | | | | | | | | | | | | | | | | | | | | | | | |



| NO | PART NO | PART NAME | DESCRIPTION | NO | REMARK |
|----|-------------|--------------|-----------------|----|--------|
| 1 | | SWICH | | 1 | |
| 2 | BPK6012CAY0 | POWER KNOB | ABS | 1 | |
| 3 | CLJ0014-003 | LOGO | 3M0051680A | 1 | |
| 4 | BPR1001CAY1 | SPK. TRIM | HIPS | 1 | |
| 5 | | POWER PCB | | 1 | |
| 6 | BPF5018CAY0 | SPK. FRONT | HIPS | 11 | |
| 7 | H121509-308 | SCREW | T2.6XP1.07XL8.0 | 11 | |
| 8 | DPP6555-120 | PAPER TUBE | | 1 | |
| 9 | IVE0089C001 | SPONG | OD116XID50XT10 | 1 | |
| 10 | EVM0027C002 | WOOD BOX | W200XH306XD286 | 1 | |
| 11 | F5WA065-311 | SPK. DRIVER | 100W 6.5" 4 OHM | 1 | |
| 12 | H011109-314 | SCREW | M3.5X14 | 4 | |
| 13 | BFG1046-001 | GRILLE | HIPS | 1 | |
| 14 | H121009-310 | SCREW | M3X10 | 4 | |
| 15 | H121009-308 | SCREW | M3.0XP1.06XL6 | 2 | |
| 16 | IVE0096-002 | COVER SPONGE | L34XW4.5XT3.0 | 1 | |
| 17 | BPC0021-001 | REAR COVER | HIPS | 1 | |
| 18 | H011109-314 | SCREW | M3.5X14 | 10 | |
| 19 | GSP0026-016 | REAR PLATE | | 1 | |
| 20 | | PART NAME | DESCRIPTION | 1 | |
| 21 | | PCB MIA | | 1 | |
| 22 | | FOOT | D25XL25 | 4 | |
| 23 | H011709-320 | SCREW | T4X20 | 4 | |
| 24 | H011709-320 | SCREW | T4X20 | 4 | |
| 25 | ICU0004-004 | RUBBER PAD | D20XT3 | 4 | |
| 26 | | PART NAME | DESCRIPTION | 1 | |
| 27 | HN4070-130 | NUT | M4XOD7.0XT3 | 4 | |
| 28 | GSE0110-004 | BRACKET | | 2 | |
| 29 | BRB0028C001 | RUBBER PAD | 50X12XT2 | 2 | |
| 30 | H110504-325 | SCREW | M4X25X0.7 | 4 | |
| 31 | DBU3050-110 | BUSHING | 4K-4 | 1 | |
| 32 | 47455-D65 | LINE CORD | SPD-2 1800MM | 1 | |
| 33 | BPN0040C001 | LED LENS | PMMA | 1 | |

DO NOT SCALE

| DATE | REV | BY | CHK | DATE | REV | BY | CHK |
|------|-----|----|-----|------|-----|----|-----|
| | | | | | | | |

头盛电子厂
HLS ELECTRONICS INC.

Electric Parts

List

| PART | PDESC | SPECA | SPECB | U M | USQTY | WHUS |
|-------------|------------------------|-------------------------|--------------------------|--------|--------|----------------------------|
| 47455-056 | LINE CORD | T-MARK 1830 mm | BLACK | PC | 100,00 | |
| 47455-092 | LINE CORD | 1830mm BLK NON-POLAR | W/3.96VH 4P T-MARK | PC | 100,00 | |
| 4999A-637 | CON/WIRE | 28P 150mm 20624 | P=1.0mm FFC CABLE | PC | 100,00 | CN102 TO MAIN PCB RB102. |
| 4999A-715 | CON/WIRE | 4P 220mm 2468#24AWG | A=JP1120-4 B=2512V | PC | 100,00 | RB105 |
| 4999A-821 | CON/WIRE | 3PIN 335mm 1617#22/2 | A3.96(VH)B:5 RED/RED | PC | 100,00 | FOR CN908 TO POWER SW. |
| 4999A-855 | ATAPI WIRE | 40P 130mm UL2651#28 | P=1.27mm DR3.1 | PC | 100,00 | CN101 TO DVD LOADER. |
| 4999A-871 | CON/WIRE | A:10P B:12P 310mm | A=2 | PC | 100,00 | FOR RB104. |
| 4999A-891 | CON/WIRE | 5000mm 2468#22 BU-BK | B=2012V2547&2468 | PC | 100,00 | FOR RB104. |
| 4999A-893 | CON/WIRE | 10000mm 2468#22 GY-B | A,B=CUT 60mm STP10mm | PC | 100,00 | FOR CENTER SPK. |
| 4999A-894 | CON/WIRE | 5000mm 2468#22 RD-BK | A,B=CUT 60mm STP10mm | PC | 200,00 | FOR SUROUND SPK. |
| 50022BD1200 | CON/WIRE | 2P 240mmA=2.5B=2512V | UL1354#26/1C WHT/GND | PC | 200,00 | FOR FL. FR. SPK. |
| 50024AJ8900 | CON/WIRE | 240mmA=2.5B=2512V | WHT/GND | PC | 100,00 | RB107 |
| 500325001B0 | CON/WIRE | 3P 100mm 2547#30x3C | A=2mm B=2012(V) | PC | 100,00 | RB301 TO CN301. |
| 500341908B0 | CON/WIRE | 2 COND 500mm 2468#26 | A=2.5 B=STP4mm | PC | 100,00 | CN921 |
| 500352308B0 | CON/WIRE | 4 COND 190 mm BLACK | A=2mm B=STRIP 4mm | PC | 100,00 | RB202 TO CN202. |
| 500371808B0 | CON/WIRE | 5 COND 230 mm BLACK | A=2.0mm B=STRIP 4mm | PC | 100,00 | RB904 |
| 50039319890 | CON/WIRE | 7P 180mm 2468#26 BLK | A=2.0mm B=STRIP 4mm | PC | 100,00 | RB301 |
| 5003C2208B0 | CON/WIRE | 9P 310mm 2468#26/9PI | RAINBONA=2.0 | PC | 100,00 | FOR RB108. |
| | | 12P 220mm 2468#26 | B=2012V | PC | 100,00 | FOR RB108. |
| | | BK | A=2.0mm B=STRIP 4mm | PC | 100,00 | RB201 |
| 5820-070BB | WIRE 26 GA | 70 mm BLACK 4-4 | UL 1007 TOP COATED | PC | 100,00 | "EEW1" TO |
| 5820-DH0EE | WIRE 26 GA | 4800 mm BLACK 10-10 | UL1007#26AWG | PC | 200,00 | "ESJW1"&"ESW2"TO "ESJW2"- |
| 5823-622BE | WIRE 22 GA | 620 mm RED 4-10mm | UL1617 DOUBLE INSULA | PC | 100,00 | 1.MAIN PCB TO SCART PCB-1. |
| JFR6067-102 | CER FILTER | 450 KHZ | MIDIS SFU450B | PC | 100,00 | CF103 |
| JFR7047-007 | CER FILTER | 10.7 MHZ | MURATA SFE- 10.7MS2-A | PC | 200,00 | CF101 CF102 |
| JQC039A-270 | CRYSTAL | 27 MHZ | SD(JINGKE) | PC | 100,00 | XL101 |
| JQC6070-720 | CRYSTAL | 7.2000 MHZ HC-49/U | | PC | 100,00 | XL102 |
| JRD5588-005 | CER FILTER RESONATO | CDA10.7MG-18A | | PC | 100,00 | CF104 |
| JRN6078-004 | R RESONATO | MURATA CSB 455BE | | PC | 100,00 | X1 |
| JRN6078-110 | R | MIDAS CRB456F18 | | PC | 100,00 | CF105 |

| PART | PDESC | SPECA | SPECB | U M | USQTY | WHUS |
|-------------|------------|---------------------------|---------------------------------------|--------|--------|---|
| JRN6078-800 | RESONATOR | 8 MHz 2x5 ORG/GREEN 2 | TWO COLORS | PC | 100,00 | XL601 |
| KEM0052-002 | LED | PIN | CHANGE | PC | 100,00 | D920 |
| KER0003-001 | LED | 3 DIA RED ROUND VASIZE | PA75X33.5 | PC | 100,00 | D204 |
| KLV0012-001 | VFD | 47x20mmFUTABA | 11BT180GN 5x20mm CSA/UL/T- MARK | PC | 100,00 | DP201 |
| KSA1400-101 | FUSE | 4A 125V SLOW | | PC | 200,00 | F901 F902 |
| KSA2160-104 | FUSE | 1.6A 250V SLOW | 5x20mm RUL/VDE | PC | 400,00 | F905 F906 F907 F908 |
| KSA2315-104 | FUSE | 3.15A 250V SLOW | 5x20mm RUL/VDE | PC | 100,00 | F903 |
| KSA2630-104 | FUSE | 6.3A 250V SLOW | 5x20mm RUL/VDE | PC | 200,00 | F901 F902 |
| LHI0109C001 | 94HB PCB | L185XW46xT0.8mm | REMOTE PCB DR3.3 | PC | 100,00 | |
| LVA0089C001 | PCB 94V0 | JACK SWITCH PCB | PHILIPS 100W DR3.1 SUBWOOFER | PC | 100,00 | |
| LVA0092C001 | PCB 94V0 | AUDIO AMP PCB | 50W DR3.1 SUBWOOFER | PC | 100,00 | |
| LVA0092C011 | PCB 94V0 | AUDIO AMP PCB | 50W | PC | 0,00 | |
| LVA0102C001 | 94V0 PCB | LED PCB+SW. PCB | 45x47mm DR3.3 | PC | 100,00 | |
| LVA0102C011 | 94V0 PCB | SW. PCB | 35x44mm DR3.3 | PC | 0,00 | |
| LVA0102C021 | 94V0 PCB | LED PCB | 30x11mm DR3.3 | PC | 0,00 | |
| LVB0107C001 | 94V0 PCB | Pro Logic+Scart PCB | DR3.3 | PC | 100,00 | |
| LVF0064C001 | MPEG PCB | 94VO MPEG PCB | DR3.1 | PC | 100,00 | |
| LVM0065C001 | PCB | MAIN PCB POWER PCB | DR3.1 | PC | 100,00 | |
| LVP0069C001 | 94V0 PCB | 105x64mm | DR3.1 | PC | 100,00 | |
| LVT0123C001 | 94V0 PCB | 180x64.5mm TUNER PCB | DR3.3 | PC | 100,00 | |
| LVU0096C001 | KEY PCB | 94V0 KEY PCB | 274.8x53mm DR3.3 | PC | 100,00 | |
| LVU0096C011 | KEY PCB | 94V0 KEY PCB | 210.5x53mm DR3.3 | PC | 0,00 | |
| LVU0096C021 | PHONE PCB | 94V0 PHONE PCB | 50x38mm DR3.3 | PC | 0,00 | |
| LVU0096C031 | LED PCB | 94V0 LED PCB | 25x31mm DR3.3 | PC | 0,00 | |
| MCT0510-006 | COND TRIM | 3 - 10 PF NP0 | | PC | 100,00 | TC103 |
| MCT0520-005 | COND TRIM | 4.2 - 20 PF N450 | | PC | 100,00 | TC102 TA202 TA203 TA204 TA205 TA206 TA207 TA208 TA209 |
| MHT2029-002 | HI TACT SW | SKQSAB | 5.0 mm 160 gf | PC | 900,00 | TA210 |
| MHT2029-002 | HI TACT SW | SKQSAB | 5.0 mm 160 gf | PC | 100,00 | TA201 |
| MRL2205-001 | RELAY | 5VDC 40mA | GJ-SH-105DM | PC | 100,00 | RL901 |
| MRL2212-005 | RELAY | SHINMEI RPA-12 V DC | 10A(AC)250V | PC | 100,00 | RL501 |

| PART | PDESC | SPECA | SPECB | U M | USQTY | WHUS |
|-------------|----------|--------------------|---------------|--------|---------|--|
| MSP0001-A18 | SW PUSH | P12 PRONIC 5A/250V | VDE SEMICO | PC | 100,00 | |
| MSP0001-A18 | SW PUSH | P12 PRONIC 5A/250V | VDE SEMICO | PC | 100,00 | SW920 |
| MSR1624-204 | ROTARY | EC16B24-204 | | PC | 100,00 | VR201 |
| MSS9477-037 | SW SLIDE | 2P2T K22F24 | | PC | 100,00 | SW301 |
| PCW1035-101 | CHIP CAP | 100 pF 50V 5% | 0805 TYPE NPO | PC | 200,00 | C1056 C1057 |
| PCW1035-101 | CHIP CAP | 100 pF 50V 5% | 0805 TYPE NPO | PC | 700,00 | C401 C402 C403 C404 C405 C406 C407 |
| PCW1035-151 | CHIP CAP | 150 pF 50V 5% | 0805 TYPE NPO | PC | 100,00 | C1029 |
| PCW1035-151 | CHIP CAP | 150 pF 50V 5% | 0805 TYPE NPO | PC | 200,00 | C2 C3 |
| PCW1035-220 | CHIP CAP | 22 pF 50V 5% | 0805 TYPE NPO | PC | 200,00 | C1031 C1033 |
| PCW1035-220 | CHIP CAP | 22 pF 50V 5% | 0805 TYPE NPO | PC | 300,00 | C28 C29 C30 |
| PCW1035-221 | CHIP CAP | 220 pF 50V 5% | 0805 TYPE NPO | PC | 600,00 | C1045 C1047 C1049 C1051 C1053 C1055 C1099 C1185 C1188 C1189 C1190 C1191 C1192 C1193 C1194 C1195 C1196 C1197 C1198 C1199 C1200 C1201 C1202 C1203 C1204 C1205 C1206 C1207 C1208 C1209 |
| PCW1035-270 | CHIP CAP | 27 pF 50V 5% | 0805 TYPE NPO | PC | 2600,00 | C1210 C1211 C1179 C1180 C1181 C1182 C1183 C1184 C1044 C1046 C1048 C1050 C1052 C1054 |
| PCW1035-331 | CHIP CAP | 330 pF 50V 5% | 0805 TYPE NPO | PC | 1200,00 | |
| PCW1035-470 | CHIP CAP | 47 pF 50V 5% | 0805 TYPE NPO | PC | 300,00 | C039 C1163 C1164 |
| PCW1035-470 | CHIP CAP | 47 pF 50V 5% | 0805 TYPE NPO | PC | 600,00 | C413 C417 C422 C425 C448 C453 C1108 C1111 C1114 C1117 |
| PCW1035-561 | CHIP CAP | 560 pF 50V 5% | 0805 TYPE NPO | PC | 500,00 | C1120 |
| PCW1035-561 | CHIP CAP | 560 pF 50V 5% | 0805 TYPE NPO | PC | 600,00 | C482 C490 C486 C477 C494 C472 |
| PCW1035-680 | CHIP CAP | 68 pF 50V 5% | 0805 TYPE NPO | PC | 600,00 | C1070 C1071 C1072 C1073 C1074 C1075 |
| PCW3955-102 | CHIP CAP | 1000 pF 50V 20% | 0805 TYPE Y5V | PC | 100,00 | C1003 C1016 C1018 C1019 C1021 C1035 C1036 C1092 C1096 C1106 C1107 C1109 C1110 C1112 C1113 C1115 C1116 |
| PCW3955-103 | CHIP CAP | 0.01 uF 50V 20% | 0805 TYPE Y5V | PC | 1800,00 | C1118 C1119 C1009 C1034 C1037 C1039 C1002 C1004 C1006 C1007 C1010 C1011 C1013 C1014 C1017 C1020 C1022 C1024 C1025 C1026 C1028 C1030 C1038 C1040 C1041 C1066 C1077 C1078 C1080 C1082 C1083 C1085 C1087 C1088 C1090 C1121 C1122 C1124 C1126 C1128 C1129 C1130 C1131 C1043 C11 |
| PCW3955-104 | CHIP CAP | 0.1 uF 50V 20% | 0805 TYPE Y5V | PC | 5500,00 | |
| PCW3955-104 | CHIP CAP | 0.1 uF 50V 20% | 0805 TYPE Y5V | PC | 200,00 | C670 C671 |

| PART | PDESC | SPECA | SPECB | U M | USQTY | WHUS |
|-------------|------------------|---------------------|----------------------------|--------|---------|--|
| PCW3955-224 | CHIP CAP | 0.22 uF 50V 20% | 0805 TYPE Y5V | PC | 400,00 | C428 C429 C430 C431 |
| PCW3955-473 | CHIP CAP | 0.047 uF 50V 20% | 0805 TYPE Y5V | PC | 100,00 | C434 C409 C411 C415 C419 C424 C427 C432 C433 C436 C444 C446 C451 C456 C457 C467 C470 C474 C479 C484 C488 C492 C496 C499 |
| PCW5645-104 | CHIP CAP | 0.1 uF 50V 10% | 0805 TYPE X7R | PC | 2300,00 | C492 C496 C499 |
| PCW5645-562 | CHIP CAP | 0.0056 uF 50V 10% | 0805 TYPE X7R | PC | 200,00 | C1123 C1148 C1133 C1134 C1136 C1137 C1139 C1140 C1142 C1143 C1145 C1146 |
| PCW5645-823 | CHIP CAP | 0.082 uF 50V 10% | 0805 TYPE X7R | PC | 1000,00 | C1145 C1146 |
| PCW5645-823 | CHIP CAP COND | 0.082 uF 50V 10% | 0805 TYPE X7R MINI SIZE | PC | 400,00 | C664 C665 C667 C668 |
| PDP3937-474 | MPEM | 0.47 uF 100V 5% | CAMEL:MPEM | PC | 200,00 | C463 C466 |
| PRD1335-101 | COND DISC | 100 pF 50V 5% | NP0 | PC | 100,00 | C301 |
| PRD1335-101 | COND DISC | 100 pF 50V 5% | NP0 | PC | 100,00 | C526 |
| PRD1335-101 | COND DISC | 100 pF 50V 5% | NP0 | PC | 300,00 | C523 C524 C525 |
| PRD1335-150 | COND DISC | 15 pF 50V 5% | NP0 | PC | 400,00 | C206 C207 C208 C209 |
| PRD1335-150 | COND DISC | 15 pF 50V 5% | NP0 | PC | 300,00 | C660 C661 C662 |
| PRD1335-180 | COND DISC | 18 PF 50V 5% | NP0 D=5 | PC | 100,00 | C174 |
| PRD1335-270 | COND DISC | 27 pF 50V 5% | NP0 | PC | 200,00 | C212 C213 |
| PRD1335-300 | COND DISC | 30 pF 50V 5% | NP0 T.C. | PC | 200,00 | C628 C629 |
| PRD1335-330 | COND DISC | 33 pF 50V 5% | NP0 | PC | 100,00 | C508 |
| PRD3545-221 | COND DISC | 220 pF 50V 10% | II Y5P D=5 | PC | 100,00 | C401 |
| PRD3545-221 | COND DISC | 220 pF 50V 10% | II Y5P D=5 | PC | 100,00 | C146 |
| PRD3545-271 | COND DISC | 270 pF 50V 10% | II Y5P D=5 | PC | 100,00 | C505 |
| PRD3545-472 | COND DISC | 4700 pF 50V 10% | Y5P,II | PC | 500,00 | C501 C502 C505 C508 C509 |
| PRD3545-681 | COND DISC | 680 pF 50V 10% | Y5P,II | PC | 100,00 | C630 |
| PRD3545-821 | COND DISC | 820 pF 50V 10% | Y5P | PC | 200,00 | C133 C134 |
| PRD3965-104 | COND DISC | 0.1 uF 50V +80-20% | Y5V III | PC | 100,00 | C509 C503 C506 C507 C907 C908 |
| PRD3965-104 | COND DISC | 0.1 uF 50V +80-20% | Y5V III | PC | 700,00 | C914 C915 |
| PRD3965-224 | COND DISC | 0.22 uF 50V +80-20% | Y5V/Z5V | PC | 200,00 | C414 C415 C503 C504 C506 C507 C510 C511 C517 C518 C519 C520 C521 C915 C917 C921 C923 C927 C929 C932 C936 C937 |
| PRD4965-104 | COND DISC | .1 uF 50V +80-20% | II Z5V | PC | 2100,00 | C946 |
| PRD4965-104 | COND DISC | .1 uF 50V +80-20% | II Z5V | PC | 200,00 | C202 C205 |

| PART | PDESC | SPECA | SPECB | U M | USQTY | WHUS |
|-------------|-----------------------|---------------------|-------------|--------|---------|---|
| PRD4965-104 | COND DISC | .1 uF 50V +80-20% | II Z5V | PC | 300,00 | C654 C655 C657 |
| PRD4965-104 | COND DISC | .1 uF 50V +80-20% | II Z5V | PC | 100,00 | FOR TUNER PACK TO GND. |
| PRD4965-223 | COND DISC | .022 uF 50V +80-20% | II Z5V | PC | 200,00 | C412 C413 |
| PRE3952-101 | ELECT COND | 100 uF 16V 20% | 85'C | PC | 100,00 | C502 |
| PRE3952-101 | ELECT COND | 100 uF 16V 20% | 85'C | PC | 100,00 | C345 |
| PRE3952-101 | ELECT COND | 100 uF 16V 20% | 85'C | PC | 300,00 | C118 C141 C156 C607 C608 C613 C617 C627 |
| PRE3952-221 | ELECT COND | 220 uF 16V 20% | 85'C | PC | 800,00 | C653 C656 C658 |
| PRE3952-331 | ELECT COND | 330 uF 16V 20% | 85'C | PC | 200,00 | C909 C910 |
| PRE3952-470 | ELECT COND | 47 uF 16V 20% | 85'C | PC | 200,00 | C410 C411 |
| PRE3952-470 | ELECT COND | 47 uF 16V 20% | 85'C | PC | 400,00 | C331 C332 C333 C334 |
| PRE3952-470 | ELECT COND | 47 uF 16V 20% | 85'C | PC | 100,00 | C634 |
| PRE3953-101 | ELECT COND | 100 uF 25V 20% | 85'C | PC | 100,00 | C498 |
| PRE3953-101 | ELECT COND | 100 uF 25V 20% | 85'C | PC | 100,00 | C513 |
| PRE3953-101 | ELECT COND | 100 uF 25V 20% | 85'C | PC | 100,00 | C512 |
| PRE3953-220 | ELECT COND | 22 uF 25V 20% | 85'C | PC | 200,00 | C515 C511 |
| PRE3953-220 | ELECT | 22 uF 25V 20% | 85'C | PC | 100,00 | C618 |
| PRE3953-221 | COND ELECT | 220 uF 25V 20% | 85'C | PC | 900,00 | C928 C919 C920 C922 C930 C931 C939 C940 C941 C408 C410 C443 C445 C450 C455 C458 C468 C469 C475 |
| PRE3953-470 | COND ELECT COND | 47 uF 25V 20% | 85'C | PC | 1200,00 | C480 C523 |
| PRE3953-471 | ELECT COND | 470 uF 25V 20% | 85'C | PC | 100,00 | C938 |
| PRE3954-470 | ELECT COND | 47 uF 35V 20% | 85'C | PC | 300,00 | C416 C504 C518 |
| PRE3955-100 | ELECT COND | 10 uF 50V 20% | 85'C | PC | 300,00 | C514 C417 C409 |
| PRE3955-100 | ELECT COND | 10 uF 50V 20% | 85'C | PC | 200,00 | C510 C522 |
| PRE3955-100 | ELECT | 10 uF 50V 20% | 85'C | PC | 300,00 | C328 C340 C341 C603 C604 C605 C606 C609 C610 C611 C612 C619 C620 |
| PRE3955-100 | COND ELECT COND | 10 uF 50V 20% | 85'C | PC | 1500,00 | C621 C635 C636 C659 C663 |
| PRE3955-100 | ELECT COND | 10 uF 50V 20% | 85'C | PC | 200,00 | C114 C117 |
| PRE3955-101 | ELECT COND | 100 uF 50V 20% | 8x12mm 85'C | PC | 200,00 | C906 C942 |
| PRE3955-109 | ELECT COND | 1 uF 50V 20% | 85'C | PC | 100,00 | C302 |
| PRE3955-109 | ELECT COND | 1 uF 50V 20% | 85'C | PC | 400,00 | C304 C305 C407 C408 |
| PRE3955-109 | ELECT COND | 1 uF 50V 20% | 85'C | PC | 300,00 | C614 C615 C616 |
| PRE3955-109 | ELECT | 1 uF 50V 20% | 85'C | PC | 500,00 | C124 C125 C129 C130 C153 |

| PART | PDESC | SPECA | SPECB | U M | USQTY | WHUS |
|-------------|-----------------------|-------------------|---------------|--------|---------|--|
| PRE3955-229 | COND ELECT COND | 2.2 uF 50V 20% | 85'C | PC | 100,00 | C501 |
| PRE3955-338 | ELECT COND | 0.33 uF 50V 20% | 85'C | PC | 100,00 | C622 |
| PRE3955-339 | ELECT COND | 3.3 uF 50V 20% | 85'C | PC | 100,00 | C947 |
| PRE3955-339 | ELECT COND | 3.3 uF 50V 20% | 85'C | PC | 200,00 | C644 C647 |
| PRE3955-470 | ELECT COND | 47 uF 50V 20% | 85'C | PC | 100,00 | C103 |
| PRE3955-478 | ELECT | 0.47 uF 50V 20% | 85'C | PC | 600,00 | C633 C623 C639 C641 C650 C652 C412 C414 C416 C418 C420 C421 C423 C426 C435 C437 C438 C439 C440 C441 C442 C447 C449 C452 C454 C459 C460 C471 C473 C476 C478 C481 C483 C485 C487 C489 |
| PRE3955-479 | COND ELECT COND | 4.7 uF 50V 20% | 85'C | PC | 3400,00 | C491 C493 C495 C524 |
| PRE3955-479 | ELECT COND | 4.7 uF 50V 20% | 85'C | PC | 100,00 | C346 |
| PRE3955-479 | ELECT COND | 4.7 uF 50V 20% | 85'C | PC | 400,00 | C640 C642 C649 C651 |
| PRM3737-104 | MYLAR COND | 0.1 uF 100V 5% | | PC | 500,00 | C512 C513 C514 C515 C516 |
| PRM3737-104 | MYLAR COND | 0.1 uF 100V 5% | | PC | 300,00 | C517 C405 C516 |
| PRM3737-104 | MYLAR COND | 0.1 uF 100V 5% | | PC | 400,00 | C601 C602 C637 C638 |
| PRM3737-123 | MYLAR COND | 0.012 uF 100V 5% | | PC | 100,00 | C402 |
| PRM3737-153 | MYLAR COND | 0.015 uF 100V 5% | | PC | 200,00 | C462 C465 |
| PRM3737-154 | MYLAR COND | 0.15 UF 100V 5% | | PC | 400,00 | C643 C645 C646 C648 |
| PRM3737-182 | MYLAR COND | 0.0018 uF 100V 5% | | PC | 200,00 | C171 C170 |
| PRM3737-183 | MYLAR COND | 0.018 uF 100V 5% | | PC | 200,00 | C128 C127 |
| PRM3737-222 | MYLAR COND | 0.0022 uF 100V 5% | | PC | 100,00 | C632 |
| PRM3737-223 | MYLAR COND | 0.022 uF 100V 5% | | PC | 1000,00 | C901 C902 C903 C904 C924 C925 C933 C934 C944 C943 |
| PRM3737-332 | MYLAR COND | 0.0033 uF 100V 5% | | PC | 100,00 | C625 |
| PRM3737-472 | MYLAR COND | .0047 uF 100V 5% | | PC | 100,00 | C631 |
| PRM3737-682 | MYLAR COND | 0.0068 uF 100V 5% | | PC | 100,00 | C406 |
| PRM3737-683 | MYLAR COND | 0.068 uF 100V 5% | | PC | 200,00 | C403 C517 |
| PRM3737-683 | MYLAR COND | 0.068 uF 100V 5% | | PC | 100,00 | C404 |
| PRM3737-822 | MYLAR COND | 0.0082 uF 100V 5% | | PC | 200,00 | C461 C464 |
| PRM3737-823 | MYLAR | 0.082 uF 100V 5% | | PC | 200,00 | C624 C626 |
| PRP3935-391 | COND POLY COND | 390 pF 50V 5% | | PC | 100,00 | C108 |
| PVA3951-470 | ELECT | 47 uF 10V 20% | 4X7mm P=1.5mm | PC | 100,00 | C1 |

| PART | PDESC | SPECA | SPECB | U M | USQTY | WHUS |
|-------------|-----------------------|--|-------------------------|--------|---------|--|
| PVD1335-101 | COND DISC | 100 pF 50V 5% | NP0 | PC | 200,00 | C120 C160 |
| PVD1335-220 | COND DISC | 22 pF 50V 5% | NP0 | PC | 200,00 | FOR C143&C144. |
| PVD1335-470 | COND DISC | 47 pF 50V 5% | NP0 | PC | 100,00 | C116 |
| PVD1385-309 | COND DISC | 3 pF 50V +-0.25pF | NP0 HI PITCH=5 mm | PC | 100,00 | C107 |
| PVD3545-103 | COND DISC | 0.01 uF 50V 10% | Y5P,II | PC | 200,00 | C159 C126 |
| PVD3545-203 | COND DISC | 0.02 uF 50V 10% | Y5P | PC | 100,00 | C152 |
| PVD3545-223 | COND DISC | 0.022 uF 50V 10% | | PC | 900,00 | C104 C012 C101 C119 C147 C148 C149 C150 C155 |
| PVD4965-104 | COND DISC | .1 uF 50V +80-20% | II Z5V | PC | 700,00 | C121 C122 C123 C140 C142 C157 C173 |
| PVD4965-473 | COND DISC | 0.047 uF 50V +80-20% | Z5V,II | PC | 400,00 | C112 C111 C115 C113 |
| PVE3952-101 | ELECT COND | 100 uF 16V 20% | | PC | 200,00 | C201 C204 |
| PVE3952-101 | ELECT COND | 100 uF 16V 20% | | PC | 100,00 | C342 |
| PVE3953-222 | ELECT COND | 2200 uF 25V 20% | 13x25mm P=5mm L=10mm | PC | 100,00 | C935 |
| PVE3953-332 | ELECT COND | 3300 uF 25V 20% | 16x25mm P=7.5mm L=10 | PC | 200,00 | C926 C945 |
| PVE3953-682 | ELECT COND | 6800 uF 25V 20% | | PC | 200,00 | C907 C905 |
| PVE3955-101 | ELECT COND | 100 uF 50V 20% | 8x12mm 85°C | PC | 100,00 | C203 |
| PVE3955-472 | ELECT | 4700 uF 50V 20% | 22X41mm P=10mm L=10 | PC | 200,00 | C905 C906 C1001 C1015 C1100 C1101 C1102 C1103 C1104 C1105 C1147 C1157 C1158 C1159 C1160 C1161 C1162 C1169 C1170 C1175 C1176 C1260 C1261 |
| PVF3952-100 | COND ELECT | 10uF/16V 20% | DIA4mm H<=6mm P=3.5 | PC | 2100,00 | C1058 C1008 C1012 C1023 C1027 C1032 C1042 C1076 C1125 C1127 C1150 C1152 C1165 C1167 C1171 C1173 C1256 C1257 C1258 C1259 C1079 C1081 C1084 C1089 |
| PVF3952-101 | COND ELECT COND | 100uF/16V 20% | DIA6mm H<=6mm P=3.5 | PC | 2000,00 | C1079 C1081 C1084 C1089 |
| PVF3955-109 | ELECT COND | 1 uF 50V 20% | DIA4mm H<=6mm P=3.5 | PC | 600,00 | C1091 C1086 |
| PVM3737-224 | MYLAR | 0.22 uF 100V 5% | | PC | 200,00 | C306 C307 |
| PVS0003-103 | COND SAFE | 0.01 uF 20% | UL/CSA/VDE/SEMKO | PC | 200,00 | C952 C953 |
| PVS0003-103 | COND SAFE COND | 0.01 uF 20% | UL/CSA/VDE/SEMKO | PC | 100,00 | C920 |
| PVS3959-102 | SAFTY | 0.001uF/400V Y1 20% | VDE/RUL(YI TAI) | PC | 100,00 | C951 |
| QAF0250-330 | RESISTOR | 33 OHM 1/2W 5% CF | | PC | 100,00 | R922 |
| QAF0250-392 | RESISTOR | 3.9K OHM 1/2W 5% | | PC | 100,00 | R521 |
| QAF0250-479 | RESISTOR | 4.7 OHM 1/2W 5% CF 1.0K OHM 1/4W 5% | | PC | 200,00 | R522 R520 |
| QAF0450-102 | RESISTOR | CF | 340X2102934 | PC | 200,00 | R904 R912 |

| PART | PDESC | SPECA | SPECB | U M | USQTY | WHUS |
|-------------|----------|------------------------|-------------|--------|---------|---|
| QAF0450-151 | RESISTOR | 150 OHM 1/4W 5% CF | 340X2151934 | PC | 200,00 | R1169 R1170 |
| QAF0450-151 | RESISTOR | 150 OHM 1/4W 5% CF | 340X2151934 | PC | 200,00 | R451 R452 |
| QAF0450-221 | RESISTOR | 220 OHM 1/4W 5% CF | 340X2221934 | PC | 200,00 | R466 R467 |
| QAF0450-221 | RESISTOR | 220 OHM 1/4W 5% CF | 340X2221934 | PC | 100,00 | R118 |
| QAF0450-229 | RESISTOR | 2.2 OHM 1/4W 5% CF | 340X2022934 | PC | 500,00 | 516 517 R518 R519 R520 |
| QAF0450-561 | RESISTOR | 560 OHM 1/4W 5% CF | 340X2561934 | PC | 100,00 | R908 |
| QAF0650-100 | RESISTOR | 10 OHM 1/6W 5% CF | | PC | 100,00 | RT14 |
| QAF0650-101 | RESISTOR | 100 OHM 1/6W 5% CF | | PC | 100,00 | R1001 |
| QAF0650-101 | RESISTOR | 100 OHM 1/6W 5% CF | | PC | 200,00 | R410 R411 |
| QAF0650-101 | RESISTOR | 100 OHM 1/6W 5% CF | | PC | 500,00 | R204 R205 R206 R216 R218 |
| QAF0650-101 | RESISTOR | 100 OHM 1/6W 5% CF | | PC | 300,00 | R603 R605 R606 |
| QAF0650-101 | RESISTOR | 100 OHM 1/6W 5% CF | | PC | 300,00 | R104 RT11 RT12 |
| QAF0650-102 | RESISTOR | 1K OHM 1/6W 5% CF | | PC | 200,00 | R916 R920 |
| QAF0650-102 | RESISTOR | 1K OHM 1/6W 5% CF | | PC | 200,00 | R415 R424 |
| QAF0650-102 | RESISTOR | 1K OHM 1/6W 5% CF | | PC | 400,00 | R360 R361 R356 R358 |
| QAF0650-102 | RESISTOR | 1K OHM 1/6W 5% CF | | PC | 300,00 | R607 R615 R620 |
| QAF0650-102 | RESISTOR | 1K OHM 1/6W 5% CF | | PC | 500,00 | R109 R120 R125 R126 R142 |
| QAF0650-103 | RESISTOR | 10K OHM 1/6W 5% CF | | PC | 100,00 | JW510 R502 R504 R507 R509 R512 R514 R525 R526 R528 R529 R530 R531 R901 R902 R905 R906 R909 R910 R913 R914 |
| QAF0650-103 | RESISTOR | 10K OHM 1/6W 5% CF | | PC | 2200,00 | R917 R918 |
| QAF0650-103 | RESISTOR | 10K OHM 1/6W 5% CF | | PC | 200,00 | R303 R301 |
| QAF0650-103 | RESISTOR | 10K OHM 1/6W 5% CF | | PC | 600,00 | R402 R422 R428 R514 R527 R535 |
| QAF0650-103 | RESISTOR | 10K OHM 1/6W 5% CF | | PC | 700,00 | R203 R201 R202 R210 R211 R212 R213 |
| QAF0650-103 | RESISTOR | 10K OHM 1/6W 5% CF | | PC | 100,00 | D601 |
| QAF0650-103 | RESISTOR | 10K OHM 1/6W 5% CF | | PC | 600,00 | L111 R111 R114 R116 R140 R145 |
| QAF0650-104 | RESISTOR | 100K OHM 1/6W 5% CF | | PC | 400,00 | R505 R510 R515 R527 |
| QAF0650-104 | RESISTOR | 100K OHM 1/6W 5% CF | | PC | 400,00 | R426 R417 R528 R532 |
| QAF0650-104 | RESISTOR | 100K OHM 1/6W 5% CF | | PC | 300,00 | R110 R113 R133 |
| QAF0650-105 | RESISTOR | 1.0M OHM 1/6W 5% CF | | PC | 100,00 | R413 |
| QAF0650-105 | RESISTOR | 1.0M OHM 1/6W 5% CF | | PC | 100,00 | R602 |

| PART | PDESC | SPECA | SPECB | U M | USQTY | WHUS |
|-------------|----------|------------------------|-------|--------|--------|--------------------------|
| QAF0650-123 | RESISTOR | 12K OHM 1/6W 5% CF | | PC | 200,00 | R534 R532 |
| QAF0650-152 | RESISTOR | 1.5K OHM 1/6W 5% CF | | PC | 200,00 | R921 R924 |
| QAF0650-152 | RESISTOR | 1.5K OHM 1/6W 5% CF | | PC | 100,00 | R362 |
| QAF0650-152 | RESISTOR | 1.5K OHM 1/6W 5% CF | | PC | 100,00 | R143 |
| QAF0650-153 | RESISTOR | 15K OHM 1/6W 5% CF | | PC | 300,00 | R506 R405 R505 |
| QAF0650-154 | RESISTOR | 150K OHM 1/6W 5% CF | | PC | 100,00 | R408 |
| QAF0650-183 | RESISTOR | 18K OHM 1/6W 5% CF | | PC | 100,00 | R619 |
| QAF0650-184 | RESISTOR | 180K OHM 1/6W 5% CF | | PC | 200,00 | R355 R357 |
| QAF0650-222 | RESISTOR | 2.2K OHM 1/6W 5% CF | | PC | 400,00 | R502 R503 R412 R416 |
| QAF0650-222 | RESISTOR | 2.2K OHM 1/6W 5% CF | | PC | 100,00 | R158 |
| QAF0650-223 | RESISTOR | 22K OHM 1/6W 5% CF | | PC | 500,00 | R903 R907 R911 R915 R919 |
| QAF0650-223 | RESISTOR | 22K OHM 1/6W 5% CF | | PC | 200,00 | R537 R541 |
| QAF0650-223 | RESISTOR | 22K OHM 1/6W 5% CF | | PC | 100,00 | R215 |
| QAF0650-223 | RESISTOR | 22K OHM 1/6W 5% CF | | PC | 500,00 | R119 R121 R122 R123 R124 |
| QAF0650-224 | RESISTOR | 220K OHM 1/6W 5% CF | | PC | 100,00 | R523 |
| QAF0650-224 | RESISTOR | 220K OHM 1/6W 5% CF | | PC | 200,00 | R542 R401 |
| QAF0650-225 | RESISTOR | 2.2M OHM 1/6W 5% CF | | PC | 100,00 | R418 |
| QAF0650-273 | RESISTOR | 27K OHM 1/6W 5% CF | | PC | 100,00 | R536 |
| QAF0650-274 | RESISTOR | 270K OHM 1/6W 5% CF | | PC | 200,00 | R103 R105 |
| QAF0650-302 | RESISTOR | 3K OHM 1/6W 5% CF | | PC | 100,00 | R519 |
| QAF0650-331 | RESISTOR | 330 OHM 1/6W 5% CF | | PC | 200,00 | R106 R117 |
| QAF0650-332 | RESISTOR | 3.3K OHM 1/6W 5% CF | | PC | 300,00 | R530 R531 R539 |
| QAF0650-333 | RESISTOR | 33K OHM 1/6W 5% CF | | PC | 100,00 | R515 |
| QAF0650-333 | RESISTOR | 33K OHM 1/6W 5% CF | | PC | 200,00 | R621 R622 |
| QAF0650-362 | RESISTOR | 3.6K OHM 1/6W 5% CF | | PC | 100,00 | R509 |
| QAF0650-392 | RESISTOR | 3.9K OHM 1/6W 5% CF | | PC | 400,00 | R359 R349 R353 R354 |
| QAF0650-393 | RESISTOR | 39K OHM 1/6W 5% CF | | PC | 100,00 | R601 |
| QAF0650-470 | RESISTOR | 47 OHM 1/6W 5% CF | | PC | 100,00 | RT13 |
| QAF0650-471 | RESISTOR | 470 OHM 1/6W 5% CF | | PC | 100,00 | R102 |
| QAF0650-472 | RESISTOR | 4.7K OHM 1/6W 5% CF | | PC | 100,00 | R407 |
| QAF0650-472 | RESISTOR | 4.7K OHM 1/6W 5% CF | | PC | 100,00 | R611 |

| PART | PDESC | SPECA | SPECB | U M | USQTY | WHUS |
|-------------|-----------|--|-------------------------|--------|--------|--|
| QAF0650-472 | RESISTOR | 4.7K OHM 1/6W 5% CF | | PC | 400,00 | R137 R138 R139 R146 |
| QAF0650-473 | RESISTOR | 47K OHM 1/6W 5% CF | | PC | 100,00 | R524 |
| QAF0650-473 | RESISTOR | 47K OHM 1/6W 5% CF | | PC | 500,00 | R409 R427 R529 R533 R534 |
| QAF0650-473 | RESISTOR | 47K OHM 1/6W 5% CF | | PC | 100,00 | R618 |
| QAF0650-510 | RESISTOR | 51 OHM 1/6W 5% CF 51K OHM 1/6W 5% | | PC | 300,00 | R504 R507 R508 |
| QAF0650-513 | RESISTOR | CF | | PC | 100,00 | R501 |
| QAF0650-561 | RESISTOR | 560 OHM 1/6W 5% CF | | PC | 600,00 | R501 R503 R506 R508 R511 R513 |
| QAF0650-561 | RESISTOR | 560 OHM 1/6W 5% CF | | PC | 100,00 | R217 |
| QAF0650-561 | RESISTOR | 560 OHM 1/6W 5% CF | | PC | 100,00 | R604 |
| QAF0650-562 | RESISTOR | 5.6K OHM 1/6W 5% CF | | PC | 100,00 | R302 |
| QAF0650-562 | RESISTOR | 5.6K OHM 1/6W 5% CF | | PC | 100,00 | R425 |
| QAF0650-563 | RESISTOR | 56K OHM 1/6W 5% CF | | PC | 100,00 | "C455-" TO "R448.R443". |
| QAF0650-563 | RESISTOR | 56K OHM 1/6W 5% CF | | PC | 200,00 | R522 R535 |
| QAF0650-563 | RESISTOR | 56K OHM 1/6W 5% CF | | PC | 200,00 | R419 R518 |
| QAF0650-563 | RESISTOR | 56K OHM 1/6W 5% CF | | PC | 100,00 | R214 |
| QAF0650-563 | RESISTOR | 56K OHM 1/6W 5% CF | | PC | 100,00 | R350 |
| QAF0650-682 | RESISTOR | 6.8K OHM 1/6W 5% CF | | PC | 100,00 | R923 |
| QAF0650-682 | RESISTOR | 6.8K OHM 1/6W 5% CF | | PC | 100,00 | R403 |
| QAF0650-682 | RESISTOR | 6.8K OHM 1/6W 5% CF | | PC | 100,00 | R115 |
| QAF0650-683 | RESISTOR | 68K OHM 1/6W 5% CF | | PC | 300,00 | R404 R406 R538 |
| QAF0650-684 | RESISTOR | 680K OHM 1/6W 5% CF | | PC | 200,00 | R420 R421 |
| QAF0650-751 | RESISTOR | 750 OHM 1/6W 5% CF | | PC | 100,00 | R510 |
| QAF0650-821 | RESISTOR | 820 OHM 1/6W 5% CF 8.2K OHM 1/6W 5% | | PC | 100,00 | R511 |
| QAF0650-822 | RESISTOR | CF | | PC | 100,00 | R540 |
| QAM0610-202 | RESISTOR | 2K 1/6W 1% | METAL FILM UL STATIC | PC | 200,00 | R1095 R1096 |
| QAS0200-475 | RESISTOR | 4.7M OHM 1/2W 10% | DISCHARGE | PC | 100,00 | R945 |
| QAS0250-109 | RESISTOR | 1 OHM 1/2W 5% | FUSIBLE METAL FILM | PC | 200,00 | R925 R926 |
| QAS0450-109 | RESISTOR | 1 OHM 1/4W 5% | FUSIBLE METAL FILM | PC | 300,00 | R26 R27 R28 |
| QAS0450-109 | RESISTOR | 1 OHM 1/4W 5% | FUSIBLE METAL FILM | PC | 200,00 | R946 R947 |
| QAS0450-301 | RESISTOR | 300 OHM 1/4W 5% | FUSIBLE METAL FILM | PC | 100,00 | R512 |
| QCF0112-750 | CHIP RES. | 75 OHM 1/10W 1% | 0805 SMT TYPE | PC | 600,00 | R1082 R1083 R1084 R1085 R1086 R1087 |

| PART | PDESC | SPECA | SPECB | U M | USQTY | WHUS |
|-------------|-----------|-------------------|---------------|--------|---------|--|
| QCF0152-000 | CHIP RES. | 0 OHM JUMP WIRE | 0805 SMT TYPE | PC | 2000,00 | FB137.FB138.R1154.R1278.R1279.FB101-FB104.FB106-FB108.FB110. |
| QCF0152-000 | CHIP RES. | 0 OHM JUMP WIRE | 0805 SMT TYPE | PC | 100,00 | REN2 R1002 R1059 R1062 R1063 R1064 R1076 R1077 R1124 R1125 R1149 R1150 R1167 R1168 R1171 R1172 R1173 R1174 R1175 R1176 R1177 R1178 R1248 R1250 R1252 |
| QCF0152-101 | CHIP RES. | 100 OHM 1/10W 5% | 0805 SMT TYPE | PC | 2500,00 | R1275 R456 R457 R458 R4105 R4106 R4110 R4111 R4112 R4115 R4116 R449 R450 |
| QCF0152-101 | CHIP RES. | 100 OHM 1/10W 5% | 0805 SMT TYPE | PC | 1600,00 | R455 R459 R460 R465 R1067 R1069 R1100 R1102 R1104 R1106 R1108 R1110 R1112 R1114 R1116 R1118 |
| QCF0152-102 | CHIP RES. | 1K OHM 1/10W 5% | 0805 SMT TYPE | PC | 1500,00 | R1145 R1160 R1165 R4100 R4114 R420 R426 R468 R474 R480 R486 R492 |
| QCF0152-102 | CHIP RES. | 1K OHM 1/10W 5% | 0805 SMT TYPE | PC | 1000,00 | R498 |
| QCF0152-102 | CHIP RES. | 1K OHM 1/10W 5% | 0805 SMT TYPE | PC | 200,00 | R627 R628 |
| QCF0152-103 | CHIP RES. | 10K OHM 1/10W 5% | 0805 SMT TYPE | PC | 800,00 | R1033 R1147 R1179 R1180 R1181 R1182 R1183 R1184 R34 R35 R4103 R4113 R418 R424 R432 R434 R435 R440 R445 R473 R479 R485 R491 |
| QCF0152-103 | CHIP RES. | 10K OHM 1/10W 5% | 0805 SMT TYPE | PC | 1600,00 | R497 |
| QCF0152-104 | CHIP RES. | 100K OHM 1/10W 5% | 0805 SMT TYPE | PC | 200,00 | R1159 R1164 R417 R419 R423 R425 R439 |
| QCF0152-104 | CHIP RES. | 100K OHM 1/10W 5% | 0805 SMT TYPE | PC | 600,00 | R444 |
| QCF0152-109 | CHIP RES. | 1 OHM 1/10W 5% | 0805 SMT TYPE | PC | 100,00 | R1 |
| QCF0152-123 | CHIP RES. | 12K OHM 1/10W 5% | 0805 SMT TYPE | PC | 300,00 | R433 R437 R438 |
| QCF0152-152 | CHIP RES. | 1.5K OHM 1/10W 5% | 0805 SMT TYPE | PC | 200,00 | R1161 R1166 |
| QCF0152-152 | CHIP RES. | 1.5K OHM 1/10W 5% | 0805 SMT TYPE | PC | 1100,00 | R4101 R470 R472 R476 R478 R482 R484 R488 R490 R494 R496 R1132 R1135 R1138 R1141 |
| QCF0152-153 | CHIP RES. | 15K OHM 1/10W 5% | 0805 SMT TYPE | PC | 500,00 | R1144 |
| QCF0152-153 | CHIP RES. | 15K OHM 1/10W 5% | 0805 SMT TYPE | PC | 400,00 | R411 R412 R413 R414 |
| QCF0152-153 | CHIP RES. | 15K OHM 1/10W 5% | 0805 SMT TYPE | PC | 200,00 | R623 R625 R409 R4102 R483 R489 |
| QCF0152-202 | CHIP RES. | 2K OHM 1/10W 5% | 0805 SMT TYPE | PC | 500,00 | R495 R36 R37 R4104 R441 R443 R446 R448 R461 R462 R463 |
| QCF0152-223 | CHIP RES. | 22K OHM 1/10W 5% | 0805 SMT TYPE | PC | 1100,00 | R464 |
| QCF0152-229 | CHIP RES. | 2.2 OHM 1/10W 5% | 0805 SMT TYPE | PC | 200,00 | R1079 R1080 |
| QCF0152-243 | CHIP RES. | 24K OHM 1/10W 5% | 0805 SMT TYPE | PC | 300,00 | R1120.R1121.R1122. |
| QCF0152-272 | CHIP RES. | 2.7K OHM 1/10W 5% | 0805 SMT TYPE | PC | 200,00 | R471 R477 |

| PART | PDESC | SPECA | SPECB | U M | USQTY | WHUS |
|-------------|-----------|---------------------------------|-------------------|--------|---------|---|
| | | | | | | R1003 R1004 R1005 R1006 R1007 R1008 R1009 R1010 R1011 R1012 R1013 R1014 R1015 R1016 R1017 R1022 R1023 R1024 R1025 R1026 R1027 R1028 R1029 R1030 R1031 R1032 R1047 R1048 R1049 R1050 R1051 R1052 R1053 R1054 R1055 R1056 R1057 R1058 R1060 R1068 R1073 R1245 R12 |
| QCF0152-330 | CHIP RES. | 33 OHM 1/10W 5% | 0805 SMT TYPE | PC | 6300,00 | |
| QCF0152-330 | CHIP RES. | 33 OHM 1/10W 5% | 0805 SMT TYPE | PC | 300,00 | R20 R21 R22 |
| QCF0152-332 | CHIP RES. | 3.3K OHM 1/10W 5% | 0805 SMT TYPE | PC | 400,00 | R1061 R1091 R1092 R1098 |
| QCF0152-332 | CHIP RES. | 3.3K OHM 1/10W 5% | 0805 SMT TYPE | PC | 200,00 | R406 R408 R1131 R1134 R1137 R1140 |
| QCF0152-333 | CHIP RES. | 33K OHM 1/10W 5% | 0805 SMT TYPE | PC | 500,00 | R1143 |
| QCF0152-333 | CHIP RES. | 33K OHM 1/10W 5% | 0805 SMT TYPE | PC | 200,00 | R624 R626 |
| QCF0152-471 | CHIP RES. | 470 OHM 1/10W 5% | 0805 SMT TYPE | PC | 200,00 | R405 R407 |
| QCF0152-472 | CHIP RES. | 4.7K OHM 1/10W 5% | 0805 SMT TYPE | PC | 100,00 | R1265 R1018 R1019 R1020 R1021 R1066 R1070 R1071 R1072 R1088 R1089 R1101 R1105 R1109 R1113 R1117 R1263 R1264 R1266 R1267 R1268 |
| QCF0152-472 | CHIP RES. | 4.7K OHM 1/10W 5% | 0805 SMT TYPE | PC | 2100,00 | R1269 R421 R422 R427 R428 R442 |
| QCF0152-472 | CHIP RES. | 4.7K OHM 1/10W 5% | 0805 SMT TYPE | PC | 600,00 | R447 R1148 R1123 R1146 R1157 |
| QCF0152-473 | CHIP RES. | 47K OHM 1/10W 5% | 0805 SMT TYPE | PC | 700,00 | R1158 R1162 R1163 R401 R402 R403 R404 R410 R415 R416 R436 R453 R454 R469 R475 R481 R487 R493 |
| QCF0152-473 | CHIP RES. | 47K OHM 1/10W 5% | 0805 SMT TYPE | PC | 1600,00 | R499 |
| QCF0152-561 | CHIP RES. | 560 OHM 1/10W 5% | 0805 SMT TYPE | PC | 100,00 | R1090 R1103 R1107 R1111 R1115 |
| QCF0152-562 | CHIP RES. | 5.6K OHM 1/10W 5% | 0805 SMT TYPE | PC | 500,00 | R1119 |
| QCF0152-562 | CHIP RES. | 5.6K OHM 1/10W 5% | 0805 SMT TYPE | PC | 200,00 | R38 R39 |
| QCF0152-563 | CHIP RES. | 56K OHM 1/10W 5% | 0805 SMT TYPE | PC | 300,00 | R431 R429 R430 |
| QCF0152-563 | CHIP RES. | 56K OHM 1/10W 5% | 0805 SMT TYPE | PC | 100,00 | R630 |
| QDN2050-621 | RESISTOR | 620 OHM 2W 5% MO 0.22 OHM 5W | MINI SIZE W/KINK | PC | 100,00 | R525 |
| QHE5050-228 | RESISTOR | 5%W/KINK | CEMENT FIXED RES | PC | 200,00 | R513 R517 |
| QHN2050-471 | RESISTOR | 470 OHM 2W 5% | METAL FILM W/KINK | PC | 100,00 | R901 |
| QHN2050-561 | RESISTOR | 560 OHM 2W 5% | | PC | 100,00 | R902 D914 D908 D909 D911 D912 |
| RAD4001-001 | RECTIFIER | 1N4001 1A 35VRMS | | PC | 800,00 | D913 D915 D916 |
| RAD4001-001 | RECTIFIER | 1N4001 1A 35VRMS | | PC | 200,00 | D501 D507 |

| PART | PDESC | SPECA | SPECB | U M | USQTY | WHUS |
|-------------|--------------------|----------------------|----------------|--------|---------|--|
| RAD4148-001 | DIODE SW | 1N4148 | | PC | 1300,00 | D113 D101 D102 D103 D104 D105 D106 D107 D108 D109 D110 D111 D112 |
| RAD4148-001 | DIODE SW | 1N4148 | | PC | 900,00 | D401 D501 D502 D503 D504 D507 D508 D509 D510 |
| RAD4148-001 | DIODE SW | 1N4148 | | PC | 800,00 | D401 D402 D403 D502 D503 D504 D506 D404 |
| RAD4148-001 | DIODE SW | 1N4148 | | PC | 300,00 | D201 D202 D203 |
| RAD4148-001 | DIODE SW | 1N4148 | | PC | 500,00 | D101 D102 D103 D104 D105 |
| RAD5392-001 | RECTIFIER | 1N5392 1.5 A 70 VRMS | | PC | 100,00 | D917 |
| RAM0192-001 | FET | 2SK192A-Y/GR | TOSHIBA | PC | 100,00 | Q108 |
| RAN0945-001 | XISTR NPN | 2SC945P | | PC | 200,00 | Q102 Q108 Q404 Q501 Q502 Q503 |
| RAN0945-001 | XISTR NPN | 2SC945P | | PC | 800,00 | Q506 Q910 Q912 Q914 Q401 Q402 Q403 Q404 Q501 Q502 Q504 Q505 Q509 |
| RAN0945-001 | XISTR NPN | 2SC945P | | PC | 1200,00 | Q510 Q516 Q517 |
| RAN0945-001 | XISTR NPN | 2SC945P | | PC | 300,00 | Q103 Q109 Q110 |
| RAN1675-001 | XISTR NPN | 2SC1675L NEC | AI | PC | 200,00 | Q102 Q101 |
| RAN2001-001 | XISTR NPN | 2SC2001L NEC | | PC | 100,00 | Q901 |
| RAN2001-001 | XISTR NPN | 2SC2001L NEC | | PC | 100,00 | Q308 |
| RAN2001-001 | XISTR NPN | 2SC2001L NEC | | PC | 100,00 | Q601 Q401 Q402 Q403 Q906 |
| RAN2878-001 | XISTR NPN | 2SC2878-A (TEI.M) | | PC | 500,00 | Q908 |
| RAN2878-001 | XISTR NPN | 2SC2878-A (TEI.M) | | PC | 200,00 | Q306 Q307 |
| RAN2878-001 | XISTR NPN | 2SC2878-A (TEI.M) | | PC | 200,00 | Q603 Q604 Q909 Q504 Q505 Q911 |
| RAP0733-001 | XISTR PNP | 2SA733Q,P NEC | | PC | 500,00 | Q913 |
| RAP0733-001 | XISTR PNP | 2SA733Q,P NEC | | PC | 100,00 | Q506 |
| RAP0733-001 | XISTR PNP | 2SA733Q,P NEC | | PC | 400,00 | Q507 Q508 Q515 Q518 |
| RAP0733-001 | XISTR PNP DIODE | 2SA733Q,P NEC | | PC | 300,00 | Q104 Q106 Q107 |
| RAZ0859-064 | ZENR DIODE | 3.8-4.0V 0.5W | HITACHI HZ4B-2 | PC | 100,00 | ZD101 |
| RAZ0859-065 | ZENR DIODE | 4.1-4.3V 0.5W | HITACHI HZ4C-2 | PC | 100,00 | ZD103 |
| RAZ0859-065 | ZENR DIODE | 4.1-4.3V 0.5W | HITACHI HZ4C-2 | PC | 100,00 | ZD201 |
| RAZ0859-071 | ZENR DIODE | 6.0-6.3V 0.5W | HITACHI HZ6C-2 | PC | 200,00 | ZD403 ZD404 |
| RAZ0859-071 | ZENR DIODE | 6.0-6.3V 0.5W | HITACHI HZ6C-2 | PC | 100,00 | ZD301 |
| RAZ0859-073 | ZENR DIODE | 6.9-7.2V 0.5W | HITACHI HZ7B-2 | PC | 200,00 | ZD102 ZD101 |
| RAZ0859-073 | ZENR DIODE | 6.9-7.2V 0.5W | HITACHI HZ7B-2 | PC | 200,00 | ZD401 ZD402 |
| RAZ0859-077 | ZENR | 9.1-9.5V 0.5W | HITACHI HZ9C-2 | PC | 100,00 | ZD601 |

| PART | PDESC | SPECA | SPECB | U M | USQTY | WHUS |
|-------------|---------------|--------------------------------|------------------------------------|--------|--------|--|
| RAZ0859-081 | DIODE ZENR | 11.9-12.4V 0.5W | HITACHI HZ12A-2 | PC | 100,00 | ZD501 |
| RAZ0859-084 | DIODE ZENR | 14.5-15.1V 0.5W | HITACHI HZ15-2 | PC | 300,00 | ZD502 ZD503 ZD504 |
| RCD4148-001 | DIODE SW | LL4148 TELEFUNKEN | SMT TYPE DOLB. PROL. DECODER | PC | 100,00 | D1 |
| RCI1035-001 | IC 64 PIN | LV1035M SANYO | | PC | 100,00 | IC601 |
| RCI2222-001 | IC 24 PIN | PT2222-001 PTC | 64 KEY X'MITTER | PC | 100,00 | U1 |
| RCI4052-001 | IC 16 PIN | TC4052BFN CHIP | 4 CH MULTIPLEXER | PC | 100,00 | IC120 |
| RCI4052-001 | IC 16 PIN | TC4052BFN CHIP | 4 CH MULTIPLEXER | PC | 100,00 | IC401 |
| RCI4053-001 | IC 16 PIN | TC4053BFN CHIP | | PC | 200,00 | IC405 IC406 |
| RCI4340-001 | IC 16 PIN | CS4340 CRYSTAL'S DAC | | PC | 300,00 | IC110 IC111 IC112 |
| RCI4408-002 | IC 208 PIN | ES4408 | W/DTS | PC | 100,00 | IC107 IC113 IC114 IC115 IC116 |
| RCI4558-001 | IC 8 PIN | JRC4558D JRC | OP AMP (SMD) | PC | 700,00 | IC117 IC118 IC119 IC402 IC403 IC404 IC407 |
| RCI4558-001 | IC 8 PIN | JRC4558D JRC | OP AMP (SMD) | PC | 700,00 | IC409 IC410 IC411 |
| RCI4558-001 | IC 8 PIN | JRC4558D JRC | OP AMP (SMD) | PC | 100,00 | IC602 |
| RCI4955-001 | IC 48 PIN | CS4955-CQ | | PC | 100,00 | IC109 |
| RCI5122-001 | IC 50 PIN | SDRAM 512*2*16 | YUNDAI'S OR LG'S IC | PC | 200,00 | IC103 IC104 |
| RCI6244-001 | IC 42 PIN | M62446FP | | PC | 100,00 | IC408 |
| RCI6311-001 | IC 52 PIN | PT6311(PTC) TC74HC04AFN | | PC | 100,00 | IC201 |
| RCI7404-001 | IC 14 PIN | TOSHIBA | | PC | 100,00 | IC122 |
| RCI7437-002 | IC 20 PIN | 74HC374 | | PC | 200,00 | IC105 IC106 |
| RCI9257-001 | IC 20 PIN | TC9257F TOSHIBA | | PC | 100,00 | IC102 |
| RCN0596-001 | XISTR NPN | 2SD596 SMD | | PC | 100,00 | Q1 |
| RHD0402-101 | RECTIFIER | RS402L 4A 100V | CHENG-YI | PC | 100,00 | BD901 |
| RHD0802-001 | RECTIFIER | KBU8B 8A 100V | | PC | 100,00 | D901 |
| RHD5401-001 | RECTIFIER | 1N5401 3.0 A 70 V | | PC | 300,00 | D906 D907 D910 |
| RHI0740-001 | IC 14 PIN | TL074CN | | PC | 100,00 | IC401 |
| RHI2402-001 | IC 8 PIN | AT24C02 DIP | ATMEL'S EEPROM IC | PC | 100,00 | IC108 |
| RHI2822-001 | IC 8 PIN | TDA2822 | | PC | 100,00 | IC304 |
| RHI2904-002 | IC 32 PIN | F29C51004T-90PC TDA7265 SGS | | PC | 200,00 | IC101 IC102 |
| RHI7265-001 | IC 11 PIN | THOMSON | 25+25 POWER IC | PC | 300,00 | IC501 IC502 IC503 |
| RHI7805-005 | IC 3 PIN | BA05T ROHM | | PC | 100,00 | IC905 |
| RHI7806-001 | IC 3 PIN | AN7806(MATSUSHITA) | (5V2) | PC | 100,00 | IC903 |

| PART | PDESC | SPECA | SPECB | U M | USQTY | WHUS |
|-------------|------------------------|---------------------------------|----------------------------------|--------|--------|--|
| RHI7812-001 | IC 3 PIN | 7812 12V 1A | REGULATOR | PC | 100,00 | IC901 |
| RHI7912-001 | IC 3 PIN | 7912 | REGULATOR | PC | 100,00 | IC902 |
| RHI8132-001 | IC 24 PIN | TA8132AN TOSHIBA | 3V AM/FM IF+MPX | PC | 100,00 | IC101 |
| RHN0882-001 | XISTR NPN | 2SD882P | | PC | 100,00 | Q107 |
| RHN2235-001 | XISTR NPN | 2SC2235-Y | | PC | 100,00 | Q512 |
| RHN5198-001 | XISTR NPN | 2SC5198-O W/MICA | HFE:80-160 | PC | 100,00 | Q514 |
| RHO6076-003 | DIODE IRT IRT | LTE-5208AC | | PC | 100,00 | LED |
| RHO8605-002 | SENSOR | L6.2xW7.3mm | IRM-8605-M W/GND | PC | 100,00 | SN201 |
| RHP0772-001 | XISTR PNP | 2SB772P/Q NEC | | PC | 200,00 | Q905 Q907 |
| RHP0965-001 | XISTR PNP | 2SA965-Y | | PC | 100,00 | Q511 |
| RHP1941-001 | XISTR PNP DIODE | 2SA1941-O TOSHIBA | HFE:80-160 W/MICA | PC | 100,00 | Q513 |
| RHT6066-011 | TUNG | AM TOSHIBA 1SV149B | | PC | 200,00 | VD103 VD102 |
| SAC7414-100 | CHOKE | 10 uH | AI | PC | 100,00 | L109 |
| SAC7414-100 | CHOKE | 10 uH | AI | PC | 100,00 | L601 |
| SAC7414-100 | CHOKE | 10 uH | AI | PC | 300,00 | L103 L104 L143 L103 L104 L105 L106 L107 |
| SHC7414-229 | CHOKE | 2.2 uH | | PC | 600,00 | L108 |
| SHC7414-393 | CHOKE | 39 mH | | PC | 200,00 | L105 L106 |
| SHI9724-049 | IFT AM | 455KHZ Q:105+/_20% | 1-2:86T 2-3:59T | PC | 100,00 | T102 |
| SHR6619-001 | RF COIL | 1 uH MDEC T40818-08 | | PC | 500,00 | L501 L502 L503 L506 L505 |
| SHR6619-001 | RF COIL ANT OSC | 1 uH MDEC T40818-08 | | PC | 100,00 | L501 |
| SHV0491-101 | AM | 4-6:10T 1-3:86T | COILS:R2523-0A10 | PC | 100,00 | L101 |
| SHV2020-201 | OSC AM | 108uH (796 KHz) COIL | R2523-0H07-502522 | PC | 100,00 | T101 |
| SLF0201-006 | BEAD FERIT | 3.5 DIA X 6 MM AI | 100 OHM/ AT 100MHZ | PC | 300,00 | FB105 FB111 FB112 |
| SLF0201-006 | BEAD FERIT | 3.5 DIA X 6 MM AI | 100 OHM/ AT 100MHZ | PC | 200,00 | FB302 FB303 |
| TTC1011C001 | PWR TRANS | 100V S:DC 10V 0.5A | EI-41 AXIAL | PC | 100,00 | |
| TTI1001C002 | PWR TRANS | 100V/50HZ S2x3 | EI-76 AXIAL DR3.1 EI-76 AXIAL | PC | 100,00 | |
| TTI1001C004 | PWR TRANS CABLE/WIR | 100V/50HZ 75W | DR3.1SUB | PC | 100,00 | |
| VRC0001-032 | E CABLE/WIR | 5000mm BLK W/YELLOW/RED/WHIT | A,B=1 BLK RCA PLUG | PC | 100,00 | FOR SUBWOOFER OUT. |
| VRC0003-001 | E | 75 OHM W/O | PLUG | PC | 100,00 | FOR VIDEO/AUDIO OUT. |
| VTA9300-010 | T ANTENNA | TERMINAL | FOLDEE DIPOLE ANT TERMINAL | PC | 100,00 | |
| VWT1312-020 | WIRE TERM | 200 mm WIRE AY | LFTH110FOCO | PC | 100,00 | CN501 |

| PART | PDESC | SPECA | SPECB | U M | USQTY | WHUS |
|-------------|-------------------|-------------------------|----------------------|--------|--------|-------|
| VWT13A4-015 | CON/WIRE TUNER | 150mm 2468#22 B=STP4 | +6.4(REDF)/-3.7(BLK) | PC | 500,00 | |
| WTP0001-005 | PACK DVD | SEO BONG FTE3J400T | FM TUNER | PC | 100,00 | FE001 |
| WVD0002-004 | LOADER | DSL-710A DVS ATRAPI | HITACHI PICKUP | PC | 100,00 | |
| XTP9777-008 | UL TAPE | W20xL66.2mm BLACK | | M | 15,00 | SW901 |